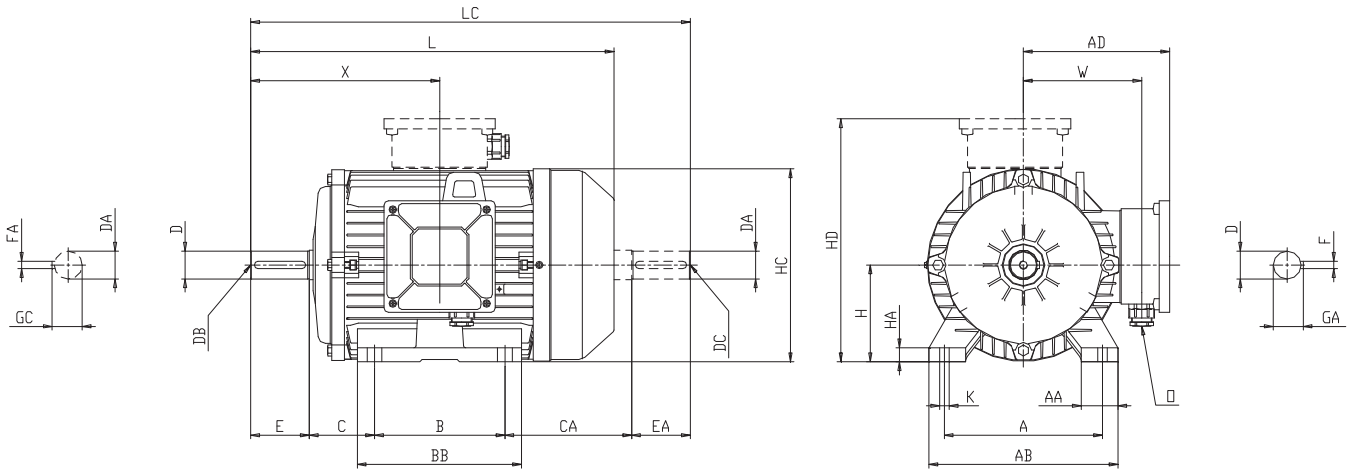


## Dimensioni d'ingombro

Forma B3 - Grandezza 160÷200  
Motori autoventilati (IC 411)

## Overall dimensions

Mounting B3 - Frame size 160÷200  
Self-ventilated motors (IC 411)



Tipo Type	Poli Poles	Dimensioni / Dimensions																	
		A	AA	AB	AD	B	BB	C	CA	H	HA	HC	HD	K	L	LC	X	W	O
160M	2-4-6-8	254	67	315	245	210	332	108	227	160	20	325	405	16	650	765	345	195	M40x1.5
160L		254	67	315	245	254	332	108	183	160	20	325	405	16	650	765	345	195	M40x1.5
180MT		279	80	350	245	241	320	121	242	180	22	340	425	16	690	824	370	195	M40x1.5
180LT		279	80	350	245	279	320	121	204	180	22	340	425	16	690	824	370	195	M40x1.5
180L		279	80	350	275	279	320	121	226	180	22	360	450	16	725	846	370	221	M40x1.5
200LT		318	90	395	275	305	365	133	247	200	24	380	475	18	750	905	400	215	M40x1.5
200L		318	90	395	315	305	365	133	247	200	24	405	505	18	780	905	400	255	M50x1.5

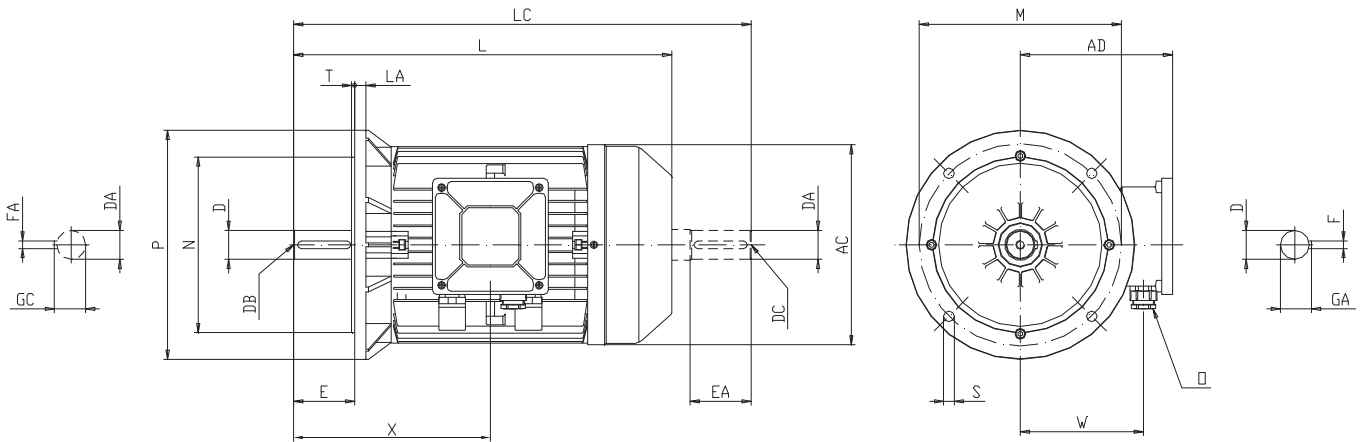
Tipo Type	Poli Poles	Albero L.A. / DE shaft					Albero L.O.A. / NDE shaft				
		D	E	F	GA	DB	DA	EA	FA	GC	DC
160M	2-4-6-8	42 k6	110	12	45	M16x2	42 k6	110	12	45	M16x2
160L		42 k6	110	12	45	M16x2	42 k6	110	12	45	M16x2
180MT		48 k6	110	14	51.5	M16x2	48 k6	110	14	51.5	M16x2
180LT		48 k6	110	14	51.5	M16x2	48 k6	110	14	51.5	M16x2
180L		48 k6	110	14	51.5	M16x2	48 k6	110	14	51.5	M16x2
200LT		55 m6	110	16	59	M20x2.5	55 m6	110	16	59	M20x2.5
200L		55 m6	110	16	59	M20x2.5	55 M6	110	16	59	M20x2.5

## Dimensioni d'ingombro

Forma B5 - Grandezza 160÷200  
 Forma V1 - Grandezza 160÷200  
 Motori autoventilati (IC 411)

## Overall dimensions

Mounting B5 - Frame size 160÷200  
 Mounting V1 - Frame size 160÷200  
 Self-ventilated motors (IC 411)



Tipo Type	Poli Poles	Dimensioni / Dimensions												
		AC	AD	L	LA	LC	M	N	P	S	T	X	W	O
160M	2-4-6-8	320	245	650	15	765	300	250 h6	350	N.4 x 18	5	345	195	M40x1.5
160L		320	245	650	15	765	300	250 h6	350	N.4 x 18	5	345	195	M40x1.5
180MT		320	245	690	15	824	300	250 h6	350	N.4 x 18	5	370	195	M40x1.5
180LT		320	245	690	15	824	300	250 h6	350	N.4 x 18	5	370	195	M40x1.5
180L		360	275	725	15	846	300	250 h6	350	N.4 x 18	5	370	221	M40x1.5
200LT		360	275	750	15	905	350	300 h6	400	N.4 x 18	5	400	215	M40x1.5
200L		395	315	780	15	905	350	300 h6	400	N.4 x 18	5	400	255	M40x1.5

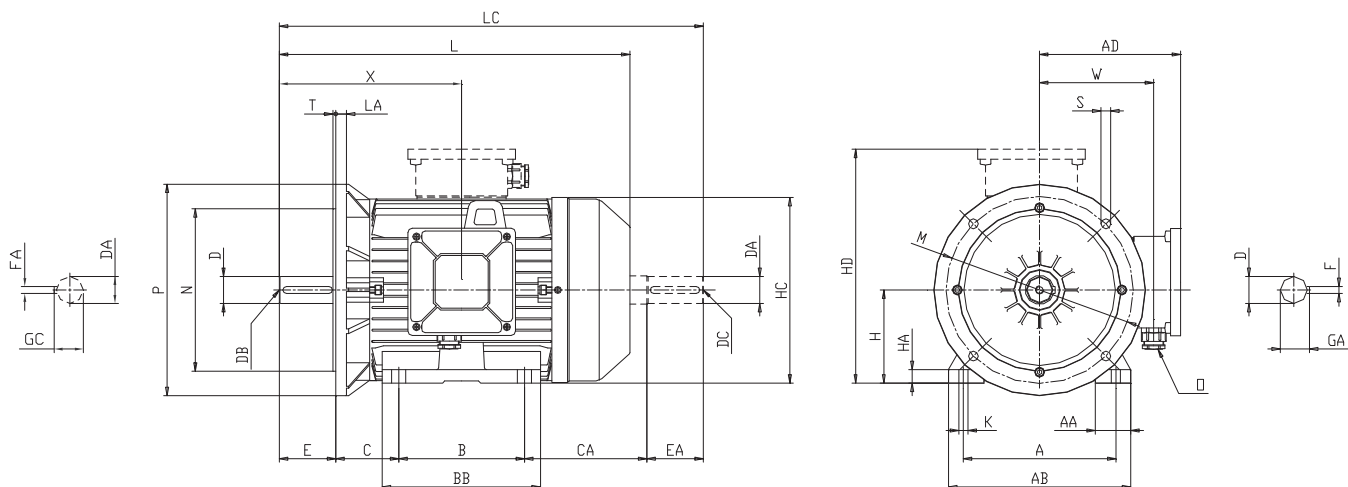
Tipo Type	Poli Poles	Albero L.A. / DE shaft					Albero L.O.A. / NDE shaft				
		D	E	F	GA	DB	DA	EA	FA	GC	DC
160M	2-4-6-8	42 k6	110	12	45	M16x2	42 k6	110	12	45	M16x2
160L		42 k6	110	12	45	M16x2	42 k6	110	12	45	M16x2
180MT		48 k6	110	14	51.5	M16x2	48 k6	110	14	51.5	M16x2
180LT		48 k6	110	14	51.5	M16x2	48 k6	110	14	51.5	M16x2
180L		48 k6	110	14	51.5	M16x2	48 k6	110	14	51.5	M16x2
200LT		55 m6	110	16	59	M20x2.5	55 m6	110	16	59	M20x2.5
200L		55 m6	110	16	59	M20x2.5	55 m6	110	16	59	M20x2.5

## Dimensioni d'ingombro

Forma B3/B5 - Grandezza 160÷200  
Motori autoventilati (IC 411)

## Overall dimensions

Mounting B3/B5 - Frame size 160÷200  
Self-ventilated motors (IC 411)



Tipo Type	Poli Poles	Dimensioni / Dimensions																	
		A	AA	AB	AD	B	BB	C	CA	H	HA	HC	HD	K	L	LC	X	W	O
160M	2-4-6-8	254	67	315	245	210	332	108	227	160	20	325	405	14	650	765	345	195	M40x1.5
160L		254	67	315	245	254	332	108	183	160	20	325	405	14	650	765	345	195	M40x1.5
180MT		279	80	350	245	241	320	121	242	180	22	340	425	14	690	824	370	195	M40x1.5
180LT		279	80	350	245	279	320	121	204	180	22	340	425	14	690	824	370	195	M40x1.5
180L		279	80	350	275	279	320	121	226	180	22	360	450	14	725	846	370	221	M40x1.5
200LT		318	90	395	275	305	365	133	247	200	24	380	475	18	750	905	400	215	M40x1.5
200L		318	90	395	315	305	365	133	247	200	24	405	505	18	780	905	400	255	M50x1.5

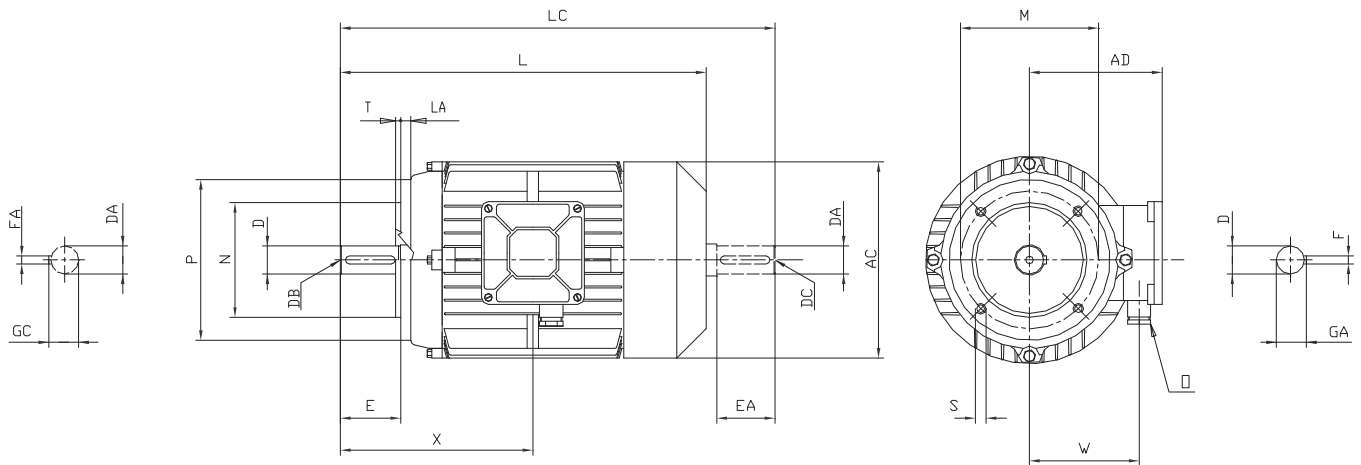
Tipo Type	Poli Poles	Flangia B5 / Flange B5						Albero L.A. / DE shaft						Albero L.O.A. / NDE shaft					
		LA	M	N	P	S	T	D	E	F	GA	DB	DA	EA	FA	GC	DC		
160M	2-4-6-8	15	300	250 h6	350	N.4 x 18	5	42 k6	110	12	45	M16x2	42 k6	110	12	45	M16x2		
160L		15	300	250 h6	350	N.4 x 18	5	42 k6	110	12	45	M16x2	42 k6	110	12	45	M16x2		
180MT		15	300	250 h6	350	N.4 x 18	5	48 k6	110	14	51.5	M16x2	48 k6	110	14	51.5	M16x2		
180LT		15	300	250 h6	350	N.4 x 18	5	48 k6	110	14	51.5	M16x2	48 k6	110	14	51.5	M16x2		
180L		15	300	250 h6	350	N.4 x 18	5	48 k6	110	14	51.5	M16x2	48 k6	110	14	51.5	M16x2		
200LT		15	350	300 h6	400	N.4 x 18	5	55 m6	110	16	59	M20x2.5	55 m6	110	16	59	M20x2.5		
200L		15	350	300 h6	400	N.4 x 18	5	55 m6	110	16	59	M20x2.5	55 m6	110	16	59	M20x2.5		

## Dimensioni d'ingombro

Forma B14 - Grandezza 160÷180T  
Motori autoventilati (IC 411)

## Overall dimensions

Mounting B14 - Frame size 160÷180T  
Self-ventilated motors (IC 411)



Tipo Type	Poli Poles	Dimensioni / Dimensions												
		AC	AD	L	LA	LC	M	N	P	S	T	X	W	O
160M	2-4-6-8	320	245	650	18	765	215	180 j6	250	N.4xM12	4	345	195	M40x1.5
160L		320	245	650	18	765	215	180 j6	250	N.4xM12	4	345	195	M40x1.5
180MT		320	245	690	18	824	215	180 j6	250	N.4xM12	4	370	195	M40x1.5
180LT		320	245	690	18	824	215	180 j6	250	N.4xM12	4	370	195	M40x1.5

Tipo Type	Poli Poles	Flangia B5 / Flange B5					Albero L.A. / DE shaft				
		D	E	F	GA	DB	DA	EA	FA	GC	DC
160M	2-4-6-8	42 k6	110	12	45	M16x2	42 k6	110	12	45	M16x2
160L		42 k6	110	12	45	M16x2	42 k6	110	12	45	M16x2
180MT		48 k6	110	14	51.5	M16x2	48 k6	110	14	51.5	M16x2
180LT		48 k6	110	14	51.5	M16x2	48 k6	110	14	51.5	M16x2