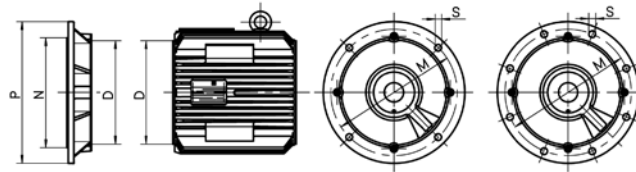


Flange variants

Type of construction IM B5/IM 3001



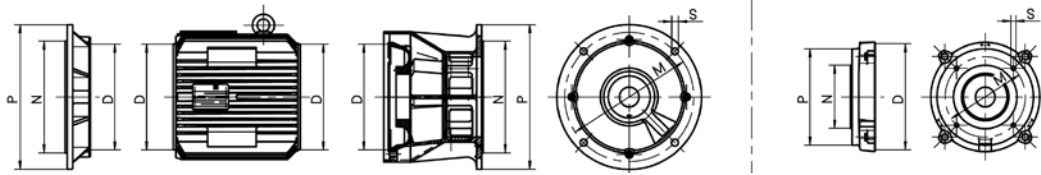
		IE3-W42R				IE3-W40R																													
		63	71	80	90																														
		IE3-W41R																																	
D in mm		88	100	115	131	145	164	164	185	164	132...T	185	216	SX2, M4, M6, MX6, S8, M8	266	180	300	300	200 L8	335	200	225 S4C, S8	378	225	250 M8	250	280 S2, M2, S4, S8	428	280 M4, S6, M6, M8	488	315 S2, M2, S4, M4	530	315	355 M, MY, L	624
P	a <sub>1</sub>	120 <sup>1)</sup>	120 <sup>1)</sup>	120 <sup>1)</sup>	120 <sup>1)</sup>																														
N	b <sub>1</sub>	80	80	80	80																														
<b>M</b>	<b>e<sub>1</sub></b>	<b>100</b>	<b>100</b>	<b>100</b>	<b>100</b>																														
S	s <sub>1</sub>	7	7	7	7																														
P	a <sub>1</sub>	140	140 <sup>1)</sup>	140 <sup>1)</sup>																															
N	b <sub>1</sub>	95	95	95																															
<b>M</b>	<b>e<sub>1</sub></b>	<b>115</b>	<b>115</b>	<b>115</b>																															
S	s <sub>1</sub>	9	9	9																															
P	a <sub>1</sub>	160 <sup>1)</sup>	160	160 <sup>1)</sup>	160 <sup>1)</sup>	160 <sup>1)</sup>	160 <sup>1)</sup>	160 <sup>1)</sup>	160 <sup>1)</sup>	160 <sup>1)</sup>	160 <sup>1)</sup>																								
N	b <sub>1</sub>	110	110	110	110	110	110	110	110	110	110																								
<b>M</b>	<b>e<sub>1</sub></b>	<b>130</b>	<b>130</b>	<b>130</b>	<b>130</b>	<b>130</b>	<b>130</b>	<b>130</b>	<b>130</b>	<b>130</b>	<b>130</b>																								
S	s <sub>1</sub>	9	9	9	9	9	9	9	9	9	9																								
P	a <sub>1</sub>	200		200	200 <sup>1)</sup>	200 <sup>1)</sup>	200 <sup>1)</sup>	200 <sup>1)</sup>	200 <sup>1)</sup>	200 <sup>1)</sup>	200 <sup>1)</sup>																								
N	b <sub>1</sub>	130		130	130	130	130	130	130	130	130																								
<b>M</b>	<b>e<sub>1</sub></b>	<b>165</b>		<b>165</b>	<b>165</b>	<b>165</b>	<b>165</b>	<b>165</b>	<b>165</b>	<b>165</b>	<b>165</b>																								
S	s <sub>1</sub>	11		11	11	11	11	11	11	11	11																								
P	a <sub>1</sub>	250 <sup>1)</sup>		250 <sup>1)</sup>	250	250	250	250	250	250	250	250																							
N	b <sub>1</sub>	180		180	180	180	180	180	180	180	180	180																							
<b>M</b>	<b>e<sub>1</sub></b>	<b>215</b>		<b>215</b>	<b>215</b>	<b>215</b>	<b>215</b>	<b>215</b>	<b>215</b>	<b>215</b>	<b>215</b>	<b>215</b>																							
S	s <sub>1</sub>	14		14	14	14	14	14	14	14	14																								
P	a <sub>1</sub>	300 <sup>1)</sup>			300	300	300	300	300	300	300	300 <sup>2)</sup>																							
N	b <sub>1</sub>	230			230	230	230	230	230	230	230	230																							
<b>M</b>	<b>e<sub>1</sub></b>	<b>265</b>			<b>265</b>	<b>265</b>	<b>265</b>	<b>265</b>	<b>265</b>	<b>265</b>	<b>265</b>	<b>265</b>																							
S	s <sub>1</sub>	14			14	14	14	14	14	14	14	14																							
P	a <sub>1</sub>								350	350	350	350																							
N	b <sub>1</sub>								250	250	250	250																							
M	e <sub>1</sub>								300	300	300	300																							
S	s <sub>1</sub>								18	18	18	18																							
P	a <sub>1</sub>								400 <sup>4)</sup>	400	400	400	400	400 <sup>6)</sup>	400 <sup>7)</sup>	400 <sup>7)</sup>	KPR flange (with corners)																		
N	b <sub>1</sub>								300	300	300	300	300	300	300	300	<sup>6)</sup> For shaft diameter 55 mm																		
<b>M</b>	<b>e<sub>1</sub></b>								<b>350</b>	<b>350</b>	<b>350</b>	<b>350</b>	<b>350</b>	<b>350</b>	<b>350</b>	<b>350</b>	<sup>7)</sup> For shaft diameter 60 mm																		
S	s <sub>1</sub>								18	18	18	18	18	18	18	18																			
P	a <sub>1</sub>								450	450	450	450	450	450	450	450																			
N	b <sub>1</sub>								350	350	350	350	350	350	350	350																			
<b>M</b>	<b>e<sub>1</sub></b>								<b>400</b>	<b>400</b>	<b>400</b>	<b>400</b>	<b>400</b>	<b>400</b>	<b>400</b>	<b>400</b>																			
S	s <sub>1</sub>								18	18	18	18	18	18	18	18																			
P	a <sub>1</sub>													550	550	550	550	550																	
N	b <sub>1</sub>													450	450	450	450	450																	
<b>M</b>	<b>e<sub>1</sub></b>													<b>500</b>	<b>500</b>	<b>500</b>	<b>500</b>	<b>500</b>	<b>500</b>																
S	s <sub>1</sub>													18	18	18	18	18																	
P	a <sub>1</sub>															660	660																		
N	b <sub>1</sub>															550	550																		
<b>M</b>	<b>e<sub>1</sub></b>															<b>600</b>	<b>600</b>																		
S	s <sub>1</sub>															22	22																		
P	a <sub>1</sub>																			800															
N	b <sub>1</sub>																			680															
<b>M</b>	<b>e<sub>1</sub></b>																			<b>740</b>															
S	s <sub>1</sub>																			22															

Low voltage electrical machines

## Flange variants

Type of construction IM 2202

IM B14



IE3-W4,R		IM B14																							
D in mm		63	71	80	90	100	100LX	112	112	132	SX2, M4, M6, MX6, S8, M8	160	180	200 L8	200	225 S4C, S8	225	250 M8	250	280 S2, M2, S4, S8	280 M4, S6, M6, M8	315 S2, M2, S4, M4	315	355 M, MY, L	
P	a <sub>1</sub>											350	350	350											
N	b <sub>1</sub>											250	250	250											
M	e <sub>1</sub>											300	300	300											
S	s <sub>1</sub>											18	18	18											
P	a <sub>1</sub>											400	400	400	400										
N	b <sub>1</sub>											300	300	300	300										
M	e <sub>1</sub>											350	350	350	350										
S	s <sub>1</sub>											18	18	18	18										
P	a <sub>1</sub>														450	450									
N	b <sub>1</sub>														350	350									
M	e <sub>1</sub>														400	400									
S	s <sub>1</sub>														18	18									
P	a <sub>1</sub>																550	550	550	550					
N	b <sub>1</sub>																450	450	450	450					
M	e <sub>1</sub>																500	500	500	500					
S	s <sub>1</sub>																18	18	18	18					
P	a <sub>1</sub>																				660	660			
N	b <sub>1</sub>																				550	550			
M	e <sub>1</sub>																				600	600			
S	s <sub>1</sub>																				22	22			

Type of construction IM B14 K, G

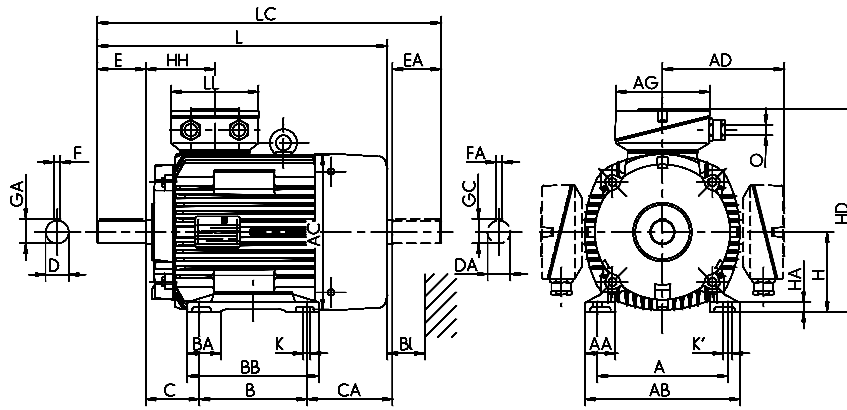
IE3-W41R		IE3-W42R				IE3-W40R 112 M2																				
D in mm		56	63	71	80	90	100	112	112	132...T	132	SX2, M4, M6, MX6, S8, M8	160	180	200 L8	200	225 S4C, S8	225	250 M8	250	280 S2, M2, S4, S8	280 M4, S6, M6, M8	315 S2, M2, S4, M4	315	355 M, MY, L	
P	a <sub>1</sub>	80	90	105																						
N	b <sub>1</sub>	50	60	70																						
M	e <sub>1</sub>	65	75	85																						
S	s <sub>1</sub>	M5	M5	M6																						
P	a <sub>1</sub>	90	105	120	120	140	140	140		160	160															
N	b <sub>1</sub>	60	70	80	80	95	95	95		110	110															
M	e <sub>1</sub>	75	85	100	100	115	115	115		130	130															
S	s <sub>1</sub>	M5	M6	M6	M6	M8	M8	M8		M8	M8															
P	a <sub>1</sub>	105 <sup>1)</sup>	120	140	140	160	160	160	160	200	200															
N	b <sub>1</sub>	70	80	95	95	110	110	110	110	130	130															
M	e <sub>1</sub>	85	100	115	115	130	130	130	130	165	165															
S	s <sub>1</sub>	M6	M6	M8	M8	M8	M8	M8	M8	M10	M10															
P	a <sub>1</sub>	120	140	160	160	200	200	200	200	250	250	250	300													
N	b <sub>1</sub>	80	95	110	110	130	130	130	130	180	180	180	230													
M	e <sub>1</sub>	100	115	130	130	165	165	165	165	215	215	215	265													
S	s <sub>1</sub>	M6	M8	M8	M8	M10	M10	M10	M10	M12	M12	M12	M12													

<sup>1)</sup> Protruding flange

**Energy-saving motor for Premium Efficiency IE3  
Three-phase motors with squirrel-cage rotor**

with surface cooling, type of cooling IC 411, degree of protection IP 55  
Size 56 to 160

**Type of construction IM B3 [IM 1001]**

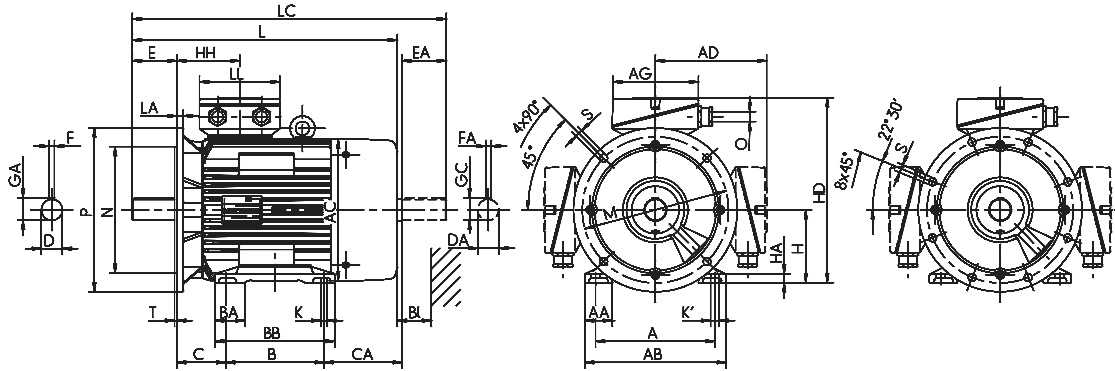


## Energy-saving motor for Premium Efficiency IE3 Three-phase motors with squirrel-cage rotor

with surface cooling, type of cooling IC 411, degree of protection IP 55  
Size 56 to 160

### Type of construction IM B35 [IM 2001]

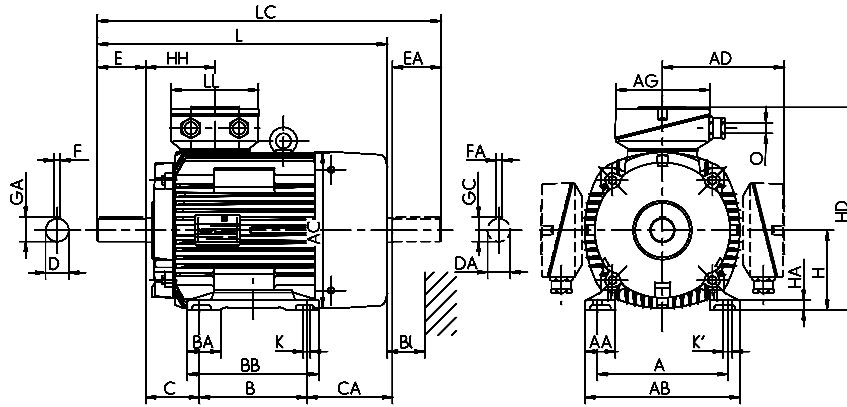
Flange dimensions, see page 2/109



**Energy-saving motor for Premium Efficiency IE3  
Three-phase motors with squirrel-cage rotor**

with surface cooling, type of cooling IC 411, degree of protection IP 55  
Size 180 to 280

**Type of construction IM B3 [IM 1001]**



Type designation	Flange size	A	AA	AB	AC	AD	AD	B	BA	BB	C	CA	D	DA	DB <sup>1)</sup>	E	EA	F	FA
		b	n	f	g	g1	g1	a	m	e	w1	w2	d	d1		l	l1	u	u1
IE3-W41R 180 M2C	FF 300	279	62	328	351	261	294	241	65	288	121	214	48	48	M16	110	110	14	14
IE3-W41R 180 M4	FF 300	279	62	328	351	261	294	241	65	288	121	214	48	48	M16	110	110	14	14
IE3-W41R 180 L4	FF 300	279	62	328	351	261	294	279	65	326	121	226	48	48	M16	110	110	14	14
IE3-W41R 180 L6C	FF 300	279	62	328	351	261	294	279	65	326	121	176	48	48	M16	110	110	14	14
IE3-W41R 180 L8	FF 300	279	62	328	351	261	294	279	65	326	121	226	48	48	M16	110	110	14	14
IE3-W41R 200 L2	FF 350	318	70	372	390	300	378	305	70	360	133	233	55	55	M20	110	110	16	16
IE3-W41R 200 LX2C	FF 350	318	70	372	390	300	378	305	70	360	133	233	55	55	M20	110	110	16	16
IE3-W41R 200 L4C	FF 350	318	70	372	390	300	378	305	70	360	133	233	55	55	M20	110	110	16	16
IE3-W41R 200 L6	FF 350	318	70	372	390	300	378	305	70	360	133	233	55	55	M20	110	110	16	16
IE3-W41R 200 LX6C	FF 350	318	70	372	390	300	378	305	70	360	133	233	55	55	M20	110	110	16	16
IE3-W41R 200 L8	FF 350	318	70	372	351	261	294	305	70	360	133	188	55	48	M20	110	110	16	14
IE3-W41R 225 M2	FF 400	356	75	413	440	324	406	311	75	368	149	267	55	55	M20	110	110	16	16
IE3-W41R 225 S4C	FF 400	356	75	413	390	300	378	286	75	343	149	286	60	55	M20	140	110	18	16
IE3-W41R 225 M4	FF 400	356	75	413	440	324	406	311	75	368	149	267	60	55	M20	140	110	18	16
IE3-W41R 225 M6	FF 400	356	75	413	440	324	406	311	75	368	149	267	60	55	M20	140	110	18	16
IE3-W41R 225 S8	FF 400	356	75	413	390	300	378	286	75	343	149	236	60	55	M20	140	110	18	16
IE3-W41R 225 M8	FF 400	356	75	413	440	324	406	311	75	368	149	267	60	55	M20	140	110	18	16
IE3-W41R 250 M2	FF 500	406	84	469	490	386	399	349	84	374	168	275	60	55	M20	140	110	18	16
IE3-W41R 250 M4	FF 500	406	84	469	490	386	399	349	84	412	168	275	65	55	M20	140	110	18	16
IE3-W41R 250 M6	FF 500	406	84	469	490	386	399	349	84	412	168	275	65	55	M20	140	110	18	16
IE3-W41R 250 M8	FF 500	406	84	471	440	386	406	349	84	412	168	260	65	55	M20	140	110	18	16
IE3-W41R 280 S2	FF 500	457	94	522	490	386	399	368	96	431	190	234	65	65	M20	140	140	18	18
IE3-W41R 280 M2	FF 500	457	94	522	490	386	399	419	96	482	190	234	65	65	M20	140	140	18	18
IE3-W41R 280 S4	FF 500	457	94	522	490	386	399	368	96	431	190	234	75	65	M20	140	140	20	18
IE3-W41R 280 M4	FF 500	457	94	522	550	416	460	419	94	482	190	384	75	65	M20	140	140	20	18
IE3-W41R 280 S6	FF 500	457	94	522	550	416	460	368	94	431	190	380	75	65	M20	140	140	20	18
IE3-W41R 280 M6	FF 500	457	94	522	550	416	460	419	94	482	190	384	75	65	M20	140	140	20	18
IE3-W41R 280 S8	FF 500	457	94	522	550	416	460	368	94	431	190	380	75	65	M20	140	140	20	18
IE3-W41R 280 M8	FF 500	457	94	522	550	416	460	419	94	482	190	384	75	65	M20	140	140	20	18

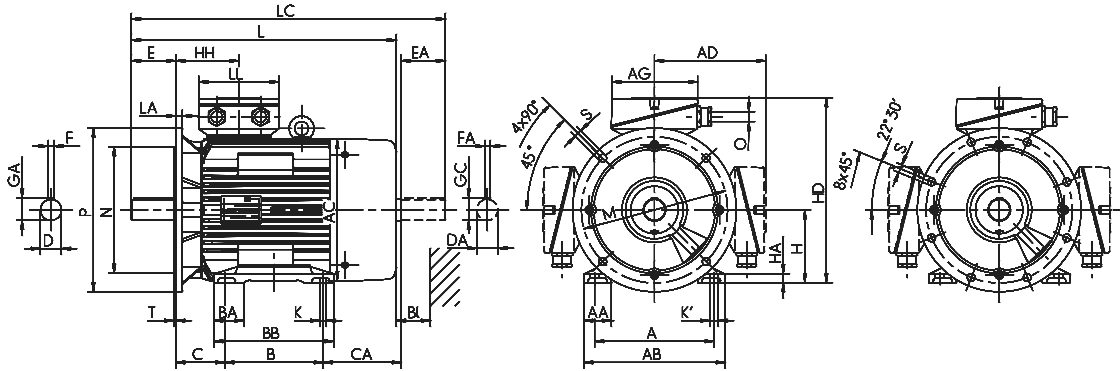
<sup>1)</sup> Centre holes to DIN 332-DS

## Energy-saving motor for Premium Efficiency IE3 Three-phase motors with squirrel-cage rotor

with surface cooling, type of cooling IC 411, degree of protection IP 55  
Size 180 to 280

### Type of construction IM B35 [IM 2001]

Flange dimensions, see page 2/109



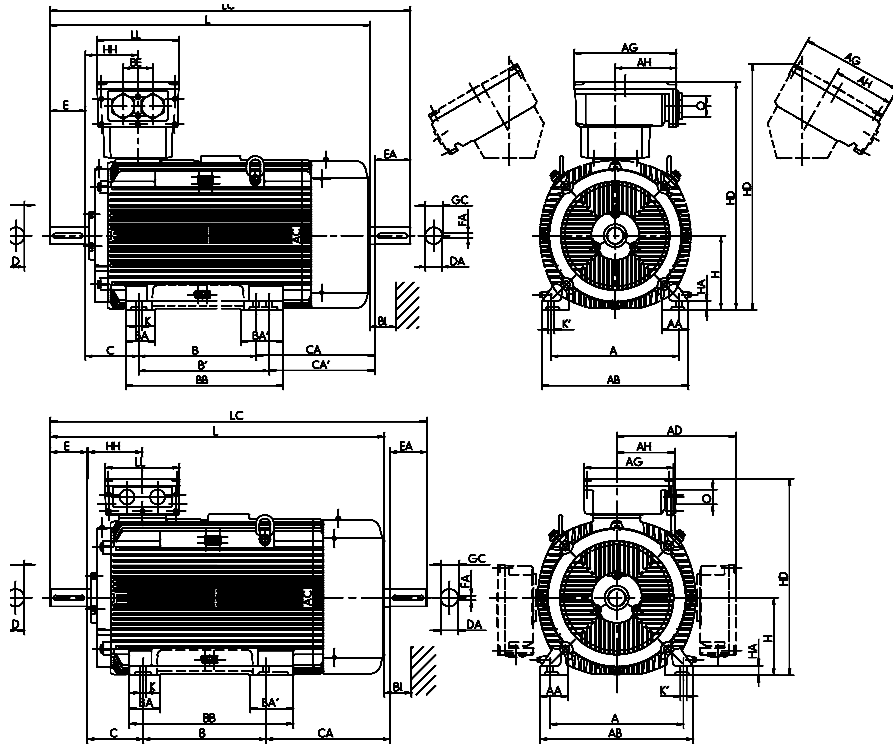
Type designation	GA	GC	H	HA	HD	HD <sup>(1)</sup>	HD	HH	K	K'	L	LC	TB Type	AG	LL	TB Type	AG	LL	O	Hole pattern	BI
	t	t1	h	c	p	p	p	A	s	s'	k	k1		x	z	VIK	x	z	-		Bl
IE3-W41R 180 M2C	51.5	51.5	180	20	441	369	474	147	15	20	680	796	63 A	193	167	100/63 AV	223	214	M40 x 1.5	4L	35
IE3-W41R 180 M4	51.5	51.5	180	20	441	369	474	147	15	20	680	796	63 A	193	167	100/63 AV	223	214	M40 x 1.5	4L	35
IE3-W41R 180 L4	51.5	51.5	180	20	441	369	474	147	15	20	730	846	63 A	193	167	100/63 AV	223	214	M40 x 1.5	4L	35
IE3-W41R 180 L6C	51.5	51.5	180	20	441	369	474	147	15	20	680	796	63 A	193	167	100/63 AV	223	214	M40 x 1.5	4L	35
IE3-W41R 180 L8	51.5	51.5	180	20	441	369	474	147	15	20	680	796	63 A	193	167	100/63 AV	223	214	M40 x 1.5	4L	35
IE3-W41R 200 L2	59	59	200	22	500	417	577	168	19	25	767	891	100 A	213	207	200 A-SB	335	270	M50 x 1.5	4L	40
IE3-W41R 200 LX2C	59	59	200	22	500	417	577	168	19	25	767	891	100 A	213	207	200 A-SB	335	270	M50 x 1.5	4L	40
IE3-W41R 200 L4C	59	59	200	22	500	417	577	168	19	25	767	891	100 A	213	207	200 A-SB	335	270	M50 x 1.5	4L	35
IE3-W41R 200 L6	59	59	200	22	500	417	577	168	19	25	767	891	100 A	213	207	200 A-SB	335	270	M50 x 1.5	4L	35
IE3-W41R 200 LX6C	59	59	200	22	500	417	577	168	19	25	767	891	100 A	213	207	200 A-SB	335	270	M50 x 1.5	4L	35
IE3-W41R 200 L8	59	51.5	200	22	461	389	494	147	19	25	730	846	63 A	193	167	100/63 AV	223	214	M50 x 1.5	4L	35
IE3-W41R 225 M2	59	59	225	25	549	450	626	177	19	25	832	947	100 A	213	207	200 A-SB	335	270	M50 x 1.5	8L	45
IE3-W41R 225 S4C	64	59	225	25	527	442	604	168	19	25	847	971	100 A	213	207	200 A-SB	335	270	M50 x 1.5	8L	40
IE3-W41R 225 M4	64	59	225	25	549	450	626	177	19	25	912	1027	100 A	213	207	200 A-SB	335	270	M50 x 1.5	8L	45
IE3-W41R 225 M6	64	59	225	25	549	450	626	177	19	25	912	1027	100 A	213	207	200 A-SB	335	270	M50 x 1.5	8L	45
IE3-W41R 225 S8	64	59	225	25	527	442	604	168	19	25	797	921	100 A	213	207	200 A-SB	335	270	M50 x 1.5	8L	40
IE3-W41R 225 M8	64	59	225	25	549	450	626	177	19	25	862	977	100 A	213	207	200 A-SB	335	270	M50 x 1.5	8L	45
IE3-W41R 250 M2	64	59	250	28	636	507	652	206	24	30	924	1072	200 A	282	242	200 A-SB	335	270	M63 x 1.5	8L	55
IE3-W41R 250 M4	69	59	250	28	636	507	652	206	24	30	924	1072	200 A	282	242	200 A-SB	335	270	M63 x 1.5	8L	50
IE3-W41R 250 M6	69	59	250	28	636	507	652	206	24	30	924	1072	200 A	282	242	200 A-SB	335	270	M63 x 1.5	8L	50
IE3-W41R 250 M8	69	59	250	28	636	484	652	177	24	30	912	1112	200 A	282	242	200 A-SB	335	270	M63 x 1.5	8L	50
IE3-W41R 280 S2	69	69	280	32	666	537	682	206	24	30	924	1072	200 A	282	242	200 A-SB	335	270	M63 x 1.5	8L	55
IE3-W41R 280 M2	69	69	280	32	666	537	682	206	24	30	970	1118	200 A	282	242	200 A-SB	335	270	M63 x 1.5	8L	55
IE3-W41R 280 S4	79.5	69	280	32	666	537	682	206	24	30	970	1118	200 A	282	242	200 A-SB	335	270	M63 x 1.5	8L	50
IE3-W41R 280 M4	79.5	69	280	40	696	575	712	211	24	30	1105	1273	200 A	282	242	200 A-SB	335	270	M63 x 1.5	8L	55
IE3-W41R 280 S6	79.5	69	280	40	696	575	712	211	24	30	1050	1218	200 A	282	242	200 A-SB	335	270	M63 x 1.5	8L	55
IE3-W41R 280 M6	79.5	69	280	40	696	575	712	211	24	30	1105	1273	200 A	282	242	200 A-SB	335	270	M63 x 1.5	8L	55
IE3-W41R 280 S8	79.5	69	280	40	696	537	712	211	24	30	1050	1218	200 A	282	242	200 A-SB	335	270	M63 x 1.5	8L	55
IE3-W41R 280 M8	79.5	69	280	40	696	575	712	211	24	30	1105	1273	200 A	282	242	200 A-SB	335	270	M63 x 1.5	8L	55

<sup>(1)</sup> Terminal box left/right

**Energy-saving motor for Premium Efficiency IE3  
Three-phase motors with squirrel-cage rotor**

with surface cooling, type of cooling IC 411, degree of protection IP 55  
Size 315

**Type of construction IM B3 [IM 1001]**



Type designation	Flange size	A	AA	AB	AC	AD	AD	B	BA	BA'	BB	C	CA	D	DA	DB <sup>1)</sup>	E	EA	F	FA
		b	n	f	g	g1	g1	a	m	m1	e	w1	w2	d	d1		l	l1	u	u1
IE3-W41R 315 S2	FF 600	508	126	590	550	416	460	406	120	-	503	216	316	65	65	M20	140	140	18	18
IE3-W41R 315 M2	FF 600	508	126	590	550	416	460	457	120	150	554	216	320	65	65	M20	140	140	18	18
IE3-W41R 315 MX2	FF 600	508	110	590	610	494	498	457	120	150	554	216	495	65	65	M20	140	140	18	18
IE3-W41R 315 MY2	FF 600	508	110	590	610	494	498	457	120	-	573	216	495	65	65	M20	140	140	18	18
IE3-W41R 315 L2	FF 600	508	110	590	610	494	498	508	120	-	624	216	564	65	65	M20	140	140	18	18
IE3-W41R 315 LX2	FF 600	508	110	590	610	494	498	508	120	-	624	216	684	65	65	M20	140	140	18	18
IE3-W41R 315 S4	FF 600	508	126	590	550	416	460	406	120	150	503	216	316	80	70	M20	170	140	22	20
IE3-W41R 315 M4	FF 600	508	126	590	550	416	460	457	120	150	554	216	320	80	70	M20	170	140	22	20
IE3-W41R 315 MX4	FF 600	508	110	590	610	494	498	457	120	150	554	216	495	80	70	M20	170	140	22	20
IE3-W41R 315 MY4	FF 600	508	110	590	610	494	498	457	120	-	573	216	495	80	70	M20	170	140	22	20
IE3-W41R 315 L4	FF 600	508	110	590	610	494	498	508	120	-	624	216	564	80	70	M20	170	140	22	20
IE3-W41R 315 LX4	FF 600	508	110	590	610	494	498	508	120	-	624	216	684	80	70	M20	170	140	22	20
IE3-W41R 315 S6	FF 600	508	126	590	550	416	460	406	120	150	554	216	371	80	70	M20	170	140	22	20
IE3-W41R 315 M6	FF 600	508	110	590	610	494	498	457	120	-	573	216	495	80	70	M20	170	140	22	20
IE3-W41R 315 MX6	FF 600	508	110	590	610	494	498	457	120	-	573	216	495	80	70	M20	170	140	22	20
IE3-W41R 315 L6	FF 600	508	110	590	610	494	498	508	120	-	624	216	564	80	70	M20	170	140	22	20
IE3-W41R 315 S8	FF 600	508	126	590	550	416	460	406	120	150	554	216	371	80	70	M20	170	140	22	20
IE3-W41R 315 M8	FF 600	508	110	590	610	494	498	457	120	150	573	216	495	80	70	M20	170	140	22	20
IE3-W41R 315 MX8	FF 600	508	110	590	610	494	498	457	120	-	624	216	564	80	70	M20	170	140	22	20
IE3-W41R 315 L8	FF 600	508	110	590	610	494	498	508	120	-	624	216	564	80	70	M20	170	140	22	20

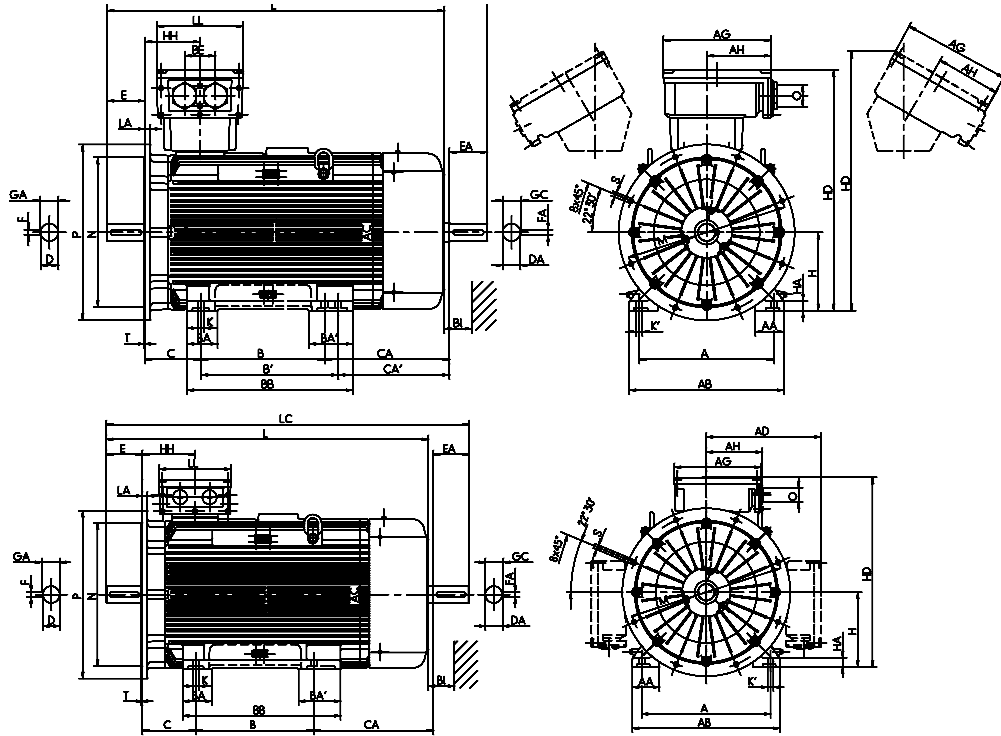
<sup>1)</sup> Centre holes to DIN 332-DS

## Energy-saving motor for Premium Efficiency IE3 Three-phase motors with squirrel-cage rotor

with surface cooling, type of cooling IC 411, degree of protection IP 55  
Size 315

### Type of construction IM B35 [IM 2001]

Flange dimensions, see page 2/109



2

Type designation	GA	GC	H	HA	HD	HD <sup>*)</sup>	HD	HH	K	K'	L	LC	TB Type	AG	LL	AH	TB Type	AG	LL	AH	O	BI
	t	t1	h	c	p	p	VIK	A	s	s'	k	k1		x	z	-	VIK	x	z	-	r	BI
IE3-W41R 315 S2	69	69	315	44	731	610	775	211	28	35	1050	1218	200 A	282	242	-	400 A-SB	415	340	265	M63 x 1.5	55
IE3-W41R 315 M2	69	69	315	44	731	610	775	211	28	35	1105	1273	200 A	282	242	-	400 A-SB	415	340	265	M63 x 1.5	55
IE3-W41R 315 MX2	69	69	315	44	809	628	996	230	28	35	1200	1378	400 A-SB	415	340	265	630 A	496	390	301	M63 x 1.5	55
IE3-W41R 315 MY2	69	69	315	44	809	628	996	230	28	35	1270	1448	400 A-SB	415	340	265	630 A	496	390	301	M63 x 1.5	55
IE3-W41R 315 L2	69	69	315	44	809	628	996	230	28	35	1390	1568	400 A-SB	415	340	265	630 A	496	390	301	M63 x 1.5	55
IE3-W41R 315 LX2	69	69	315	44	809	628	996	230	28	35	1510	1688	400 A-SB	415	340	265	630 A	496	390	301	M63 x 1.5	55
IE3-W41R 315 S4	85	74.5	315	44	731	610	775	211	28	35	1080	1248	200 A	282	242	-	400 A-SB	415	340	265	M63 x 1.5	55
IE3-W41R 315 M4	85	74.5	315	44	731	610	775	211	28	35	1135	1303	200 A	282	242	-	400 A-SB	415	340	265	M63 x 1.5	55
IE3-W41R 315 MX4	85	74.5	315	44	809	628	996	230	28	35	1230	1408	400 A-SB	415	340	265	630 A	496	390	301	M63 x 1.5	55
IE3-W41R 315 MY4	85	74.5	315	44	809	628	996	230	28	35	1300	1478	400 A-SB	415	340	265	630 A	496	390	301	M63 x 1.5	55
IE3-W41R 315 L4	85	74.5	315	44	809	628	996	230	28	35	1420	1598	400 A-SB	415	340	265	630 A	496	390	301	M63 x 1.5	55
IE3-W41R 315 LX4	85	74.5	315	44	809	628	996	230	28	35	1540	1718	400 A-SB	415	340	265	630 A	496	390	301	M63 x 1.5	55
IE3-W41R 315 S6	85	74.5	315	44	731	595	775	211	28	35	1135	1303	200 A	282	242	-	400 A-SB	415	340	265	M63 x 1.5	55
IE3-W41R 315 M6	85	74.5	315	44	809	628	996	230	28	35	1300	1478	400 A-SB	415	340	265	630 A	496	390	301	M63 x 1.5	55
IE3-W41R 315 MX6	85	74.5	315	44	809	628	996	230	28	35	1300	1478	400 A-SB	415	340	265	630 A	496	390	301	M63 x 1.5	55
IE3-W41R 315 L6	85	74.5	315	44	809	628	996	230	28	35	1420	1598	400 A-SB	415	340	265	630 A	496	390	301	M63 x 1.5	55
IE3-W41R 315 S8	85	74.5	315	44	731	610	775	211	28	35	1135	1303	200 A	282	242	-	400 A-SB	415	340	265	M63 x 1.5	55
IE3-W41R 315 M8	85	74.5	315	44	809	628	996	230	28	35	1300	1478	400 A-SB	415	340	265	630 A	496	390	301	M63 x 1.5	55
IE3-W41R 315 MX8	85	74.5	315	44	809	628	996	230	28	35	1420	1598	400 A-SB	415	340	265	630 A	496	390	301	M63 x 1.5	55
IE3-W41R 315 L8	85	74.5	315	44	809	628	996	230	28	35	1420	1598	400 A-SB	415	340	265	630 A	496	390	301	M63 x 1.5	55

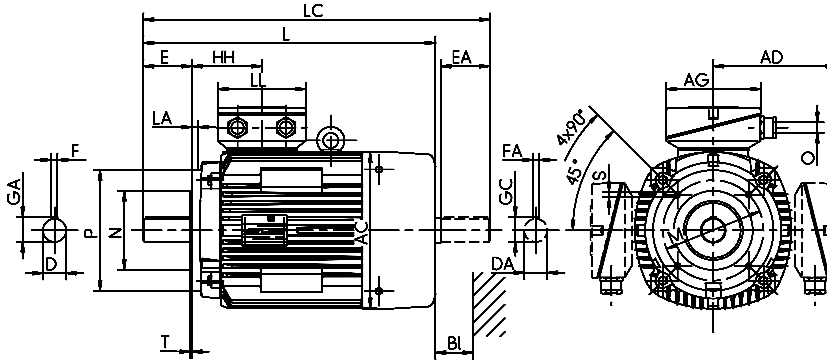
\*) Terminal box left/right

**Energy-saving motor for Premium Efficiency IE3  
Three-phase motors with squirrel-cage rotor**

with surface cooling, type of cooling IC 411, degree of protection IP 55  
Size 56 to 160

**Type of construction IM B14 [IM 3601]**

Flange dimensions, see page 2/109



Type designation	Flange size		A	AA	AB	AC	AD	AD	B	BA	BB	C	CA	D	DA	DB <sup>1)</sup>	E	EA	F	FA
	small	large	b	n	f	g	g1	g1	a	m	e	w1	w2	d	d1	i	l1	u	u1	
IE3-W41R 56 G2	FT 65	FT 85	90	18	110	109	98	117	71	-	86	36	52	9	-	M3	20	-	3	3
IE3-W42R 63 K2, 4	FT 75	FT 100	100	28	128	109	98	118	80	-	100	40	39	11	11	M4	23	23	4	4
IE3-W41R 63 G2, 4, 6	FT 75	FT 100	100	21	120	124	104	124	80	-	95	40	59	11	11	M4	23	23	4	4
IE3-W42R 71 K2, 4/KY6	FT 85	FT 115	112	32	138	124	104	124	90	-	116	45	43.5	14	14	M5	30	30	5	5
IE3-W41R 71 G8/GY2, 4, 6	FT 85	FT 115	112	24	135	139	111	131	90	-	114	45	78	14	14	M5	30	30	5	5
IE3-W42R 80 K2, 8	FT 100	FT 130	125	38	168	139	111	131	100	-	125	50	63	19	19	M6	40	40	6	6
IE3-W41R 80 K2, 4, 6/GY2/G8	FT 100	FT 130	125	26	152	157	120	140	100	-	125	50	80	19	19	M6	40	40	6	6
IE3-W41R 80 G2, 4, 6/GX4	FT 100	FT 130	125	26	152	157	120	140	100	-	146	50	102	19	19	M6	40	40	6	6
IE3-W42R 90 S2/SY8	FT 115	FT 130	140	40	178	157	120	140	100	-	130	56	96	24	24	M8	50	50	8	6
IE3-W41R 90 S2, 8/SY4, 6	FT 115	FT 130	140	40	178	177	127	147	100	-	130	56	120	24	24	M8	50	50	8	6
IE3-W41R 90 S4, 6	FT 115	FT 130	140	40	178	177	127	147	100	-	130	56	125	24	24	M8	50	50	8	6
IE3-W41R 90 LY2	FT 115	FT 130	140	40	178	177	127	147	125	-	155	56	95	24	24	M8	50	50	8	6
IE3-W41R 90 LX4	FT 115	FT 130	140	40	178	177	127	147	125	-	155	56	150	24	24	M8	50	50	8	6
IE3-W41R 90 L2, 4, 6, 8	FT 115	FT 130	140	40	178	177	127	147	125	-	155	56	125	24	24	M8	50	50	8	6
IE3-W41R 100 LY8	FT 130	FT 165	160	32	188	196	137	157	140	-	171	63	102	28	28	M10	60	50	8	8
IE3-W41R 100 LY2/L8	FT 130	FT 165	160	42	193	196	137	156	140	-	175	63	102	28	28	M10	60	60	8	8
IE3-W41R 100 L2/LY4/LX6/LW8	FT 130	FT 165	160	42	193	196	137	156	140	-	175	63	136	28	28	M10	60	60	8	8
IE3-W41R 100 L4/LX4	FT 130	FT 165	160	42	193	196	137	156	140	-	175	63	166	28	28	M10	60	60	8	8
IE3-W41R 100 LX8	FT 130	FT 165	160	42	193	196	137	156	140	-	175	63	136	28	28	M10	60	60	8	8
IE3-W41R 100 LZ4, LW4	FT 130	FT 165	160	42	193	196	137	156	140	-	175	63	206	28	28	M10	60	60	8	8
IE3-W41R 112 M2, 8/MV6	FT 130	FT 165	190	52	225	196	136	156	140	-	180	70	159	28	28	M10	60	60	8	8
IE3-W41R 112 MY2	FT 130	FT 165	190	52	225	196	136	156	140	-	180	70	129	28	28	M10	60	60	8	8
IE3-W41R 112 MZ6, 8	FT 130	FT 165	190	52	225	196	137	156	140	-	180	70	199	28	28	M10	60	60	8	8
IE3-W40R 112 M2, W41R 112 MW4	FT 130	FT 165	190	45	226	217	178	189	140	42	172	70	192	28	28	M10	60	60	8	8
IE3-W41R 112 M4	FT 130	FT 165	190	45	226	217	178	189	140	42	172	70	242	28	28	M10	60	60	8	8
IE3-W41R 132 S2T	FT 165	FT 215	216	50	256	196	155	155	140	-	180	89	129	38	28	M12	80	60	10	8
IE3-W41R 132 S2, W42R 132 S8	FT 165	FT 215	216	50	256	217	178	189	140	55	180	89	173	38	32	M12	80	80	10	10
IE3-W41R 132 S6	FT 165	FT 215	216	50	256	217	178	189	140	55	180	89	223	38	32	M12	80	80	10	10
IE3-W41R 132 SX2	FT 165	FT 215	216	50	256	258	199	210	140	47	180	89	176	38	32	M12	80	80	10	10
IE3-W41R 132 S4	FT 165	FT 215	216	50	256	258	199	210	140	47	180	89	186	38	32	M12	80	80	10	10
IE3-W41R 132 M4	FT 165	FT 215	216	50	256	258	199	210	178	47	218	89	236	38	38	M12	80	80	10	10
IE3-W41R 132 M6	FT 165	FT 215	216	50	256	258	199	210	178	55	218	89	138	38	32	M12	80	80	10	10
IE3-W41R 132 MX6	FT 165	FT 215	216	50	256	258	199	210	178	47	218	89	236	38	38	M12	80	80	10	10
IE3-W41R 132 S8	FT 130	FT 165	216	50	256	258	199	210	140	55	180	89	223	38	32	M12	80	80	10	10
IE3-W41R 132 M8	FT 165	FT 215	216	50	256	258	199	210	178	55	218	89	138	38	32	M12	80	80	10	10
IE3-W41R 160 M2	FT 215	C300	254	55	296	313	242	275	210	60	257	108	148	42	42	M16	110	110	12	12
IE3-W41R 160 MX2	FT 215	C300	254	55	296	313	242	275	210	56	257	108	186	42	42	M16	110	110	12	12
IE3-W41R 160 L2	FT 215	C300	254	55	296	313	242	275	254	60	301	108	192	42	42	M16	110	110	12	12
IE3-W41R 160 M4	FT 215	C300	254	55	296	313	242	275	210	60	257	108	148	42	42	M16	110	110	12	12
IE3-W41R 160 L4C	FT 215	C300	254	55	296	313	242	275	254	60	301	108	192	42	42	M16	110	110	12	12
IE3-W41R 160 M6	FT 215	C300	254	55	296	313	242	275	210	56	257	108	186	42	42	M16	110	110	12	12
IE3-W41R 160 L6C	FT 215	C300	254	55	296	313	242	275	254	60	301	108	192	42	42	M16	110	110	12	12
IE3-W41R 160 M8	FT 215	C300	254	55	296	313	242	275	210	60	257	108	185	42	42	M16	110	110	12	12
IE3-W41R 160 MX8	FT 215	C300	254	55	296	313	242	275	210	56	257	108	186	42	42	M16	110	110	12	12
IE3-W41R 160 L8	FT 215	C300	254	55	296	313	242	275	254	60	301	108	192	42	42	M16	110	110	12	12

Low voltage electrical machines

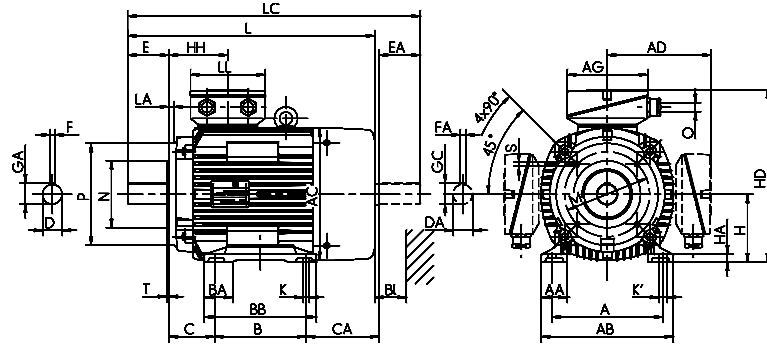
<sup>1)</sup> Centre holes to DIN 332-DS

## Energy-saving motor for Premium Efficiency IE3 Three-phase motors with squirrel-cage rotor

with surface cooling, type of cooling IC 411, degree of protection IP 55  
Size 56 to 160

### Type of construction IM B34 [IM 2101]

Flange dimensions, see page 2/109



Type designation	GA	GC	H	HA	HD	HD <sup>*)</sup>	HD	HH	K	K'	L	LC	TB Type	AG	LL	TB Type	AG	LL	O	Hole pattern	Bl.
	t	t1	h	c	p	p	VIK	A	s	s'	k	k1		x	z	VIK	x	z	-		Bl
IE3-W41R 56 G2	10	10.2	56	7	154	***	174	58	6	6	176	199	KA 05	92	92	KA 05-13	104	112	M20 x 1.5	4L	14
IE3-W42R 63 K2, 4	13	12.5	63	10	161	***	181	58	8	8	179	205	KA 05	92	92	KA 05-13	104	112	M20 x 1.5	4L	14
IE3-W41R 63 G2, 4, 6	13	12.5	63	7.5	167	***	187	61	7	7	199	225	KA 05	92	92	KA 05-13	104	112	M20 x 1.5	4L	14
IE3-W42R 71 K2, 4/KY6	16	16	71	11	175	***	195	61	8	8	206	239	KA 05	92	92	KA 05-13	104	112	M20 x 1.5	4L	14
IE3-W41R 71 G8/GY2, 4, 6	16	16	71	8	182	***	202	67	7	7	238	273	KA 05	92	92	KA 05-13	104	112	M20 x 1.5	4L	14
IE3-W42R 80 K2, 8	22	21.5	80	12	191	***	211	67	10	10	249	293	KA 05	92	92	KA 05-13	104	112	M20 x 1.5	4L	16
IE3-W41R 80 K2, 4, 6/GY2/G8	22	21.5	80	9	200	***	220	70	10	10	265	310	KA 05	92	92	KA 05-13	104	112	M20 x 1.5	4L	16
IE3-W41R 80 G2, 4, 6/GX4	22	21.5	80	9	200	***	220	70	10	10	287	332	KA 05	92	92	KA 05-13	104	112	M20 x 1.5	4L	16
IE3-W42R 90 S2/SY8	27	24.5	90	14	210	***	230	70	10	10	297	352	KA 05	92	92	KA 05-13	104	112	M25 x 1.5	4L	16
IE3-W41R 90 S2, 8/SY4, 6	27	24.5	90	10.5	217	***	237	75	10	10	321	376	KA 05	92	92	KA 05-13	104	112	M25 x 1.5	4L	18
IE3-W41R 90 S4, 6	27	24.5	90	10.5	217	***	237	75	10	10	351	406	KA 05	92	92	KA 05-13	104	112	M25 x 1.5	4L	18
IE3-W41R 90 LY2	27	24.5	90	11	217	***	237	75	10	10	321	376	KA 05	92	92	KA 05-13	104	112	M25 x 1.5	4L	18
IE3-W41R 90 LX4	27	24.5	90	10.5	217	***	237	75	10	10	376	431	KA 05	92	92	KA 05-13	104	112	M25 x 1.5	4L	18
IE3-W41R 90 L2, 4, 6, 8	27	24.5	90	10.5	217	***	237	75	10	10	351	406	KA 05	92	92	KA 05-13	104	112	M25 x 1.5	4L	18
IE3-W41R 100 LY8	31	31	100	11	237	***	257	77	12	12	357	425	KA 05	92	92	KA 05-13	104	112	M25 x 1.5	4L	20
IE3-W41R 100 LY2/L8	31	31	100	13	236	***	256	77	12	12	357	425	KA 05	92	92	KA 05-13	104	112	M25 x 1.5	4L	20
IE3-W41R 100 L2/LY4/LX6/LW8	31	31	100	13	236	***	256	77	12	12	391	459	KA 05	92	92	KA 05-13	104	112	M25 x 1.5	4L	20
IE3-W41R 100 L4/LX4	31	31	100	13	236	***	256	77	12	12	421	489	KA 05	92	92	KA 05-13	104	112	M25 x 1.5	4L	20
IE3-W41R 100 LX8	31	31	100	13	236	***	256	77	12	12	391	459	KA 05	92	92	KA 05-13	104	112	M25 x 1.5	4L	20
IE3-W41R 100 LZ4, LW4	31	31	100	18	236	***	256	77	12	12	461	529	KA 05	92	92	KA 05-13	104	112	M25 x 1.5	4L	20
IE3-W41R 112 M2, 8/MV6	31	31	112	18	248	***	268	77	12	12	421	489	KA 05	92	92	KA 05-13	104	112	M25 x 1.5	4L	20
IE3-W41R 112 MY2	31	31	112	18	248	***	268	77	12	12	391	459	KA 05	92	92	KA 05-13	104	112	M25 x 1.5	4L	20
IE3-W41R 112 MZ6, 8	31	31	112	18	248	***	268	77	12	12	461	529	KA 05	92	92	KA 05-13	104	112	M25 x 1.5	4L	20
IE3-W40R 112 M2, W41R 112 MW4	31	31	112	15	290	236.5	297	108	12	12	459	522	25 A	156	145	25 AV	156	145	M32 x 1.5	4L	35
IE3-W41R 112 M4	31	31	112	15	290	236.5	297	108	12	12	509	572	25 A	156	145	25 AV	156	145	M32 x 1.5	4L	35
IE3-W41R 132 S2T	41	31	132	18	287	***	287	105	12	12	460	528	KA 05-13	104	112	KA 05-13	104	112	M25 x 1.5	4L	20
IE3-W41R 132 S2, W42R 132 S8	41	35	132	16	310	256.5	317	108	12	12	479	562	25 A	156	145	25 AV	156	145	M32 x 1.5	4L	35
IE3-W41R 132 S6	41	35	132	16	310	256.5	317	108	12	12	529	612	25 A	156	145	25 AV	156	145	M32 x 1.5	4L	35
IE3-W41R 132 SX2	41	41	132	15	331	279	338	114	12	12	481	565	25 A	156	145	25 AV	156	145	M32 x 1.5	4L	35
IE3-W41R 132 S4	41	41	132	15	331	279	338	114	12	12	529	613	25 A	156	145	25 AV	156	145	M32 x 1.5	4L	35
IE3-W41R 132 M4	41	41	132	15	331	279	338	114	12	12	579	663	25 A	156	145	25 AV	156	145	M32 x 1.5	4L	35
IE3-W41R 132 M6	41	35	132	16	331	279	338	114	12	12	481	565	25 A	156	145	25 AV	156	145	M32 x 1.5	4L	35
IE3-W41R 132 MX6	41	41	132	15	331	279	338	114	12	12	579	663	25 A	156	145	25 AV	156	145	M32 x 1.5	4L	35
IE3-W41R 132 S8	41	35	132	16	331	279	338	114	12	12	481	565	25 A	156	145	25 AV	156	145	M32 x 1.5	4L	35
IE3-W41R 132 M8	41	35	132	16	331	279	338	114	12	12	481	565	25 A	156	145	25 AV	156	145	M32 x 1.5	4L	35
IE3-W41R 160 M2	45	45	160	18	402	336	435	138	15	20	571	686	63 A	193	167	100/63 AV	223	214	M40 x 1.5	4L	35
IE3-W41R 160 MX2	45	45	160	18	402	336	435	138	15	20	609	724	63 A	193	167	100/63 AV	223	214	M40 x 1.5	4L	35
IE3-W41R 160 L2	45	45	160	18	402	336	435	138	15	20	659	774	63 A	193	167	100/63 AV	223	214	M40 x 1.5	4L	35
IE3-W41R 160 M4	45	45	160	18	402	336	435	138	15	20	571	686	63 A	193	167	100/63 AV	223	214	M40 x 1.5	4L	35
IE3-W41R 160 L4C	45	45	160	18	402	336	435	138	15	20	659	774	63 A	193	167	100/63 AV	223	214	M40 x 1.5	4L	35
IE3-W41R 160 M6	45	45	160	18	402	336	435	138	15	20	609	724	63 A	193	167	100/63 AV	223	214	M40 x 1.5	4L	35
IE3-W41R 160 L6C	45	45	160	18	402	336	435	138	15	20	659	774	63 A	193	167	100/63 AV	223	214	M40 x 1.5	4L	35
IE3-W41R 160 M8	45	45	160	18	402	336	435	138	15	20	571	693	63 A	193	167	100/63 AV	223	214	M40 x 1.5	4L	35
IE3-W41R 160 MX8	45	45	160	18	402	336	435	138	15	20	571	724	63 A	193	167	100/63 AV	223	214	M40 x 1.5	4L	35
IE3-W41R 160 L8	45	45	160	18	402	336	435	138	15	20	659	774	63 A	193	167	100/63 AV	223	214	M40 x 1.5	4L	35

\*) Terminal box left/right

\*\*\* upon request

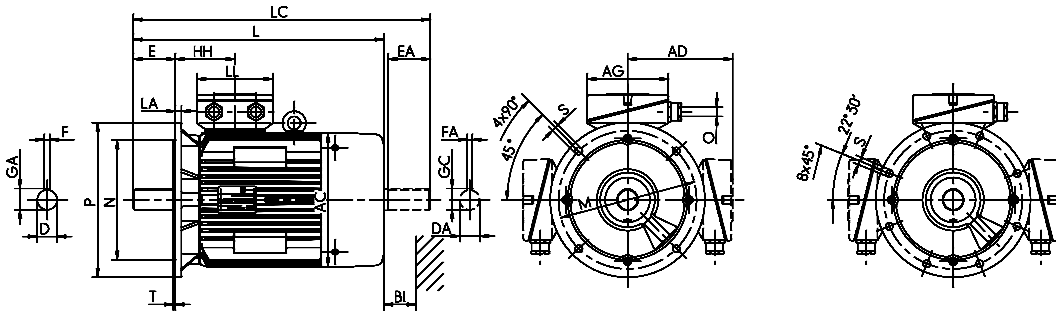
**Energy-saving motor for Premium Efficiency IE3  
Three-phase motors with squirrel-cage rotor**

with surface cooling, type of cooling IC 411, degree of protection IP 55  
Size 56 to 132

**Type of construction IM B5 [IM 3001]**

**Type of construction IM V1 [IM 3011]**

Flange dimensions, see page 2/109



Type designation	Flange size	AC	AD	AD	D	DA	DB <sup>1)</sup>	E	EA	F	FA	GA	GC	H	HH
		g	g1	g1	d	d1		l	l1	u	u1	t	t1	h	A
IE3-W41R 56 G2	FF 100	109	98	117	9	-	M3	20	-	3	3	10	10.2	56	81
IE3-W42R 63 K2, 4	FF 115	109	98	118	11	11	M4	23	23	4	4	13	12.5	63	58
IE3-W41R 63 G2, 4, 6	FF 115	124	104	124	11	11	M4	23	23	4	4	13	12.5	63	94
IE3-W42R 71 K2, 4, KY6	FF 130	124	104	124	14	14	M5	30	30	5	5	16	16	71	61
IE3-W41R 71 G8/GY2, 4, 6	FF 130	139	111	131	14	14	M5	30	30	5	5	16	16	71	97
IE3-W42R 80 K2, 8	FF 165	139	111	131	19	19	M6	40	40	6	6	22	21.5	80	67
IE3-W41R 80 K2, 4, 6/GY2/G8	FF 165	157	120	140	19	19	M6	40	40	6	6	22	21.5	80	70
IE3-W41R 80 G2, 4, 6/GX4	FF 165	157	120	140	19	19	M6	40	40	6	6	22	21.5	80	70
IE3-W42R 90 S2/SY8	FF 165	157	120	140	24	24	M8	50	50	8	6	27	24.5	90	70
IE3-W41R 90 S2, 8/SY4, 6	FF 165	177	127	147	24	24	M8	50	50	8	6	27	24.5	90	114
IE3-W41R 90 S4, 6	FF 165	177	127	147	24	24	M8	50	50	8	6	27	24.5	90	114
IE3-W41R 90 LY2	FF 165	177	127	147	24	24	M8	50	50	8	6	27	24.5	90	114
IE3-W41R 90 LX4	FF 165	177	127	147	24	24	M8	50	50	8	6	27	24.5	90	114
IE3-W41R 90 L2, 4, 6, 8	FF 165	177	127	147	24	24	M8	50	50	8	6	27	24.5	90	114
IE3-W41R 100 LY8	FF 215	196	137	157	28	28	M10	60	60	8	8	31	31	100	77
IE3-W41R 100 LY2/L8	FF 215	196	137	156	28	28	M10	60	60	8	8	31	31	100	77
IE3-W41R 100 L2/LY4/LX6/LW8	FF 215	196	137	156	28	28	M10	60	60	8	8	31	31	100	77
IE3-W41R 100 L4/LX4	FF 215	196	137	156	28	28	M10	60	60	8	8	31	31	100	77
IE3-W41R 100 LX8	FF 215	196	137	156	28	28	M10	60	60	8	8	31	31	100	77
IE3-W41R 100 LZ4, LW4	FF 215	196	137	156	28	28	M10	60	60	8	8	31	31	100	77
IE3-W41R 112 M2, 8/MV6	FF 215	196	136	156	28	28	M10	60	60	8	8	31	31	112	77
IE3-W41R 112 MY2	FF 215	196	136	156	28	28	M10	60	60	8	8	31	31	112	77
IE3-W41R 112 MZ6, 8	FF 215	196	137	156	28	28	M10	60	60	8	8	31	31	112	77
IE3-W40R 112 M2, W41R 112 MW4	FF 215	217	178	189	28	28	M10	60	60	8	8	31	31	112	107
IE3-W41R 112 M4	FF 215	217	178	189	28	28	M10	60	60	8	8	31	31	112	107
IE3-W41R 132 S2T	FF 265	196	155	155	38	28	M12	80	60	10	8	41	31	132	105
IE3-W41R 132 S2, W42R 132 S8	FF 265	217	178	189	38	32	M12	80	80	10	10	41	35	132	107
IE3-W41R 132 S6	FF 265	217	178	189	38	32	M12	80	80	10	10	41	35	132	107
IE3-W41R 132 SX2	FF 265	258	199	210	38	32	M12	80	80	10	10	41	35	132	114
IE3-W41R 132 S4	FF 265	258	199	210	38	32	M12	80	80	10	10	41	35	132	114
IE3-W41R 132 M4	FF 265	258	199	210	38	38	M12	80	80	10	10	41	41	132	114
IE3-W41R 132 M6	FF 265	258	199	210	38	32	M12	80	80	10	10	41	35	132	114
IE3-W41R 132 MX6	FF 265	258	199	210	38	38	M12	80	80	10	10	41	41	132	114
IE3-W41R 132 S8	FF 265	258	199	210	38	32	M12	80	80	10	10	41	35	132	114
IE3-W41R 132 M8	FF 265	258	199	210	38	32	M12	80	80	10	10	41	35	132	114

<sup>1)</sup> Centre holes to DIN 332-DS

Type designation	L	LC	TB Type	AG	LL	TB Type	AG	LL	O	Hole pattern	Bl.
	k	k1		x	z	VIK	x	z	-		Bl
IE3-W41R 56 G2	199	223	KA 05	92	92	KA 05-13	104	112	M20 x 1.5	4L	14
IE3-W42R 63 K2, 4	179	205	KA 05	92	92	KA 05-13	104	112	M20 x 1.5	4L	14
IE3-W41R 63 G2, 4, 6	232	258	KA 05	92	92	KA 05-13	104	112	M20 x 1.5	4L	14
IE3-W42R 71 K2, 4/KY6	206	239	KA 05	92	92	KA 05-13	104	112	M20 x 1.5	4L	14
IE3-W41R 71 G8/GY2 ,4, 6	269	303	KA 05	92	92	KA 05-13	104	112	M20 x 1.5	4L	14
IE3-W42R 80 K2, 8	249	293	KA 05	92	92	KA 05-13	104	112	M20 x 1.5	4L	16
IE3-W41R 80 K2, 4, 6/GY2/G8	265	310	KA 05	92	92	KA 05-13	104	112	M20 x 1.5	4L	16
IE3-W41R 80 G2, 4, 6/GX4	287	332	KA 05	92	92	KA 05-13	104	112	M20 x 1.5	4L	16
IE3-W42R 90 S2/SY8	297	352	KA 05	92	92	KA 05-13	104	112	M25 x 1.5	4L	16
IE3-W41R 90 S2, 8/SY4, 6	360	415	KA 05	92	92	KA 05-13	104	112	M25 x 1.5	4L	18
IE3-W41R 90 S4, 6	390	445	KA 05	92	92	KA 05-13	104	112	M25 x 1.5	4L	18
IE3-W41R 90 LY2	360	415	KA 05	92	92	KA 05-13	104	112	M25 x 1.5	4L	18
IE3-W41R 90 LX4	416	471	KA 05	92	92	KA 05-13	104	112	M25 x 1.5	4L	18
IE3-W41R 90 L2, 4, 6, 8	390	445	KA 05	92	92	KA 05-13	104	112	M25 x 1.5	4L	18
IE3-W41R 100 LY8	357	425	KA 05	92	92	KA 05-13	104	112	M25 x 1.5	4L	20
IE3-W41R 100 LY2/L8	357	425	KA 05	92	92	KA 05-13	104	112	M25 x 1.5	4L	20
IE3-W41R 100 L2/LY4/LX6/LW8	391	459	KA 05	92	92	KA 05-13	104	112	M25 x 1.5	4L	20
IE3-W41R 100 L4/LX4	421	489	KA 05	92	92	KA 05-13	104	112	M25 x 1.5	4L	20
IE3-W41R 100 LX8	391	459	KA 05	92	92	KA 05-13	104	112	M25 x 1.5	4L	20
IE3-W41R 100 LZ4, LW4	461	529	KA 05	92	92	KA 05-13	104	112	M25 x 1.5	4L	20
IE3-W41R 112 M2, 8/MV6	421	489	KA 05	92	92	KA 05-13	104	112	M25 x 1.5	4L	20
IE3-W41R 112 MY2	391	459	KA 05	92	92	KA 05-13	104	112	M25 x 1.5	4L	20
IE3-W41R 112 MZ6, 8	461	529	KA 05	92	92	KA 05-13	104	112	M25 x 1.5	4L	20
IE3-W40R 112 M2, W41R 112 MW4	457	522	25 A	156	145	25 AV	156	145	M32 x 1.5	4L	35
IE3-W41R 112 M4	507	572	25 A	156	145	25 AV	156	145	M32 x 1.5	4L	35
IE3-W41R 132 S2T	460	528	KA 05-13	104	112	KA 05-13	104	112	M32 x 1.5	4L	20
IE3-W41R 132 S2, W42R 132 S8	479	562	25 A	156	145	25 AV	156	145	M32 x 1.5	4L	35
IE3-W41R 132 S6	529	612	25 A	156	145	25 AV	156	145	M32 x 1.5	4L	35
IE3-W41R 132 SX2	481	565	25 A	156	145	25 AV	156	145	M32 x 1.5	4L	35
IE3-W41R 132 S4	529	613	25 A	156	145	25 AV	156	145	M32 x 1.5	4L	35
IE3-W41R 132 M4	579	663	25 A	156	145	25 AV	156	145	M32 x 1.5	4L	35
IE3-W41R 132 M6	481	565	25 A	156	145	25 AV	156	145	M32 x 1.5	4L	35
IE3-W41R 132 MX6	579	663	25 A	156	145	25 AV	156	145	M32 x 1.5	4L	35
IE3-W41R 132 S8	481	565	25 A	156	145	25 AV	156	145	M32 x 1.5	4L	35
IE3-W41R 132 M8	481	565	25 A	156	145	25 AV	156	145	M32 x 1.5	4L	35

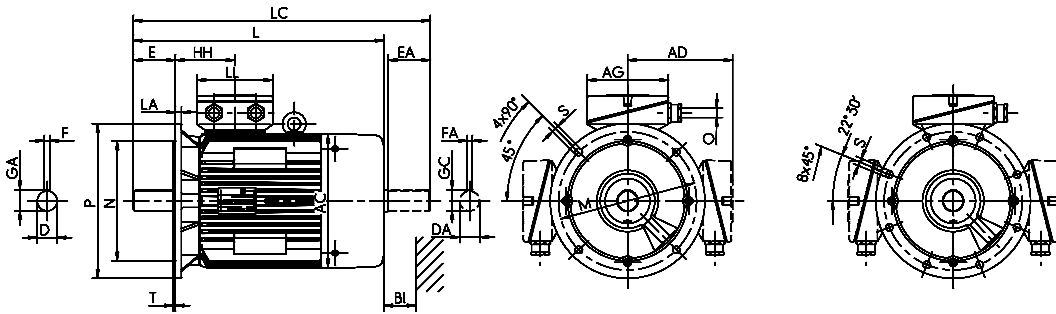
**Energy-saving motor for Premium Efficiency IE3  
Three-phase motors with squirrel-cage rotor**

with surface cooling, type of cooling IC 411, degree of protection IP 55  
Size 160 to 280

**Type of construction IM B5 [IM 3001]**

**Type of construction IM V1 [IM 3011]**

Flange dimensions, see page 2/109



Type designation	Flange size	AC	AD	AD	D	DA	DB <sup>1)</sup>	E	EA	F	FA	GA	GC	H	HH
		g	g1	g1	d	d1		l	l1	u	u1	t	t1	h	A
IE3-W41R 160 M2	FF 300	313	242	275	42	42	M16	110	110	12	12	45	45	160	138
IE3-W41R 160 MX2	FF 300	313	242	275	42	42	M16	110	110	12	12	45	45	160	138
IE3-W41R 160 L2	FF 300	313	242	275	42	42	M16	110	110	12	12	45	45	160	138
IE3-W41R 160 M4	FF 300	313	242	275	42	42	M16	110	110	12	12	45	45	160	138
IE3-W41R 160 L4C	FF 300	313	242	275	42	42	M16	110	110	12	12	45	45	160	138
IE3-W41R 160 M6	FF 300	313	242	275	42	42	M16	110	110	12	12	45	45	160	138
IE3-W41R 160 L6C	FF 300	313	242	275	42	42	M16	110	110	12	12	45	45	160	138
IE3-W41R 160 M8	FF 300	313	242	275	42	42	M16	110	80	12	10	45	45	160	138
IE3-W41R 160 MX8	FF 300	313	242	275	42	42	M16	110	110	12	12	45	45	160	138
IE3-W41R 160 L8	FF 300	313	242	275	42	42	M16	110	110	12	12	45	45	160	138
IE3-W41R 180 M2C	FF 300	351	261	294	48	48	M16	110	110	14	14	51.5	51.5	180	147
IE3-W41R 180 M4	FF 300	351	261	294	48	48	M16	110	110	14	14	51.5	51.5	180	147
IE3-W41R 180 L4	FF 300	351	261	294	48	48	M16	110	110	14	14	51.5	51.5	180	147
IE3-W41R 180 L6C	FF 300	351	261	294	48	48	M16	110	110	14	14	51.5	51.5	180	147
IE3-W41R 180 L8	FF 300	351	261	294	48	48	M16	110	110	14	14	51.5	51.5	180	147
IE3-W41R 200 L2	FF 350	390	300	378	55	55	M20	110	110	16	16	59	59	200	168
IE3-W41R 200 LX2C	FF 350	390	300	378	55	55	M20	110	110	16	16	59	59	200	168
IE3-W41R 200 L4C	FF 350	390	300	378	55	55	M20	110	110	16	16	59	59	200	168
IE3-W41R 200 L6	FF 350	390	300	378	55	55	M20	110	110	16	16	59	59	200	168
IE3-W41R 200 LX6C	FF 350	390	300	378	55	55	M20	110	110	16	16	59	59	200	168
IE3-W41R 200 L8	FF 350	351	261	294	55	48	M20	110	110	16	14	59	51.5	200	147
IE3-W41R 225 M2	FF 400	440	324	406	55	55	M20	110	110	16	16	59	59	225	177
IE3-W41R 225 S4C	FF 400	390	300	378	60	55	M20	140	110	18	16	64	59	225	168
IE3-W41R 225 M4	FF 400	440	324	406	60	55	M20	140	110	18	16	64	59	225	177
IE3-W41R 225 M6	FF 400	440	324	406	60	55	M20	140	110	18	16	64	59	225	177
IE3-W41R 225 S8	FF 400	390	300	378	60	55	M20	140	110	18	16	64	59	225	168
IE3-W41R 225 M8	FF 400	440	324	406	60	55	M20	140	110	18	16	64	59	225	177
IE3-W41R 250 M2	FF 500	490	386	399	60	55	M20	140	110	18	18	64	59	250	206
IE3-W41R 250 M4	FF 500	490	386	399	65	55	M20	140	110	18	18	69	59	280	206
IE3-W41R 250 M6	FF 500	490	386	399	65	55	M20	140	110	18	16	69	59	250	206
IE3-W41R 250 M8	FF 500	440	386	406	65	55	M20	140	110	18	16	69	59	250	206
IE3-W41R 280 S2	FF 500	490	386	399	65	65	M20	140	140	18	18	69	69	280	206
IE3-W41R 280 M2	FF 500	490	386	399	65	65	M20	140	140	18	18	69	69	280	206
IE3-W41R 280 S4	FF 500	490	386	399	75	65	M20	140	140	20	18	79.5	69	280	206
IE3-W41R 280 M4	FF 500	550	416	460	75	65	M20	140	140	20	18	79.5	69	280	211
IE3-W41R 280 S6	FF 500	550	416	460	75	65	M20	140	110	20	18	79.5	69	280	211
IE3-W41R 280 M6	FF 500	550	416	460	75	65	M20	140	140	20	18	79.5	69	280	211
IE3-W41R 280 S8	FF 500	550	416	460	75	65	M20	140	110	20	18	79.5	69	280	211
IE3-W41R 280 M8	FF 500	550	416	460	75	65	M20	140	140	20	18	79.5	69	280	211

<sup>1)</sup> Centre holes to DIN 332-DS

Type designation	L	LC	TB Type	AG	LL	TB Type	AG	LL	O	Hole pattern	Bl.
	k	k1		x	z	VIK	x	z	-		Bl
IE3-W41R 160 M2	571	686	63 A	193	167	100/63 AV	223	214	M40 x 1.5	4L	35
IE3-W41R 160 MX2	609	724	63 A	193	167	100/63 AV	223	214	M40 x 1.5	4L	35
IE3-W41R 160 L2	659	774	63 A	193	167	100/63 AV	223	214	M40 x 1.5	4L	35
IE3-W41R 160 M4	571	686	63 A	193	167	100/63 AV	223	214	M40 x 1.5	4L	35
IE3-W41R 160 L4C	659	774	63 A	193	167	100/63 AV	223	214	M40 x 1.5	4L	35
IE3-W41R 160 M6	609	724	63 A	193	167	100/63 AV	223	214	M40 x 1.5	4L	35
IE3-W41R 160 L6C	659	774	63 A	193	167	100/63 AV	223	214	M40 x 1.5	4L	35
IE3-W41R 160 M8	571	724	63 A	193	167	100/63 AV	223	214	M40 x 1.5	4L	35
IE3-W41R 160 MX8	571	724	63 A	193	167	100/63 AV	223	214	M40 x 1.5	4L	35
IE3-W41R 160 L8	659	774	63 A	193	167	100/63 AV	223	214	M40 x 1.5	4L	35
IE3-W41R 180 M2C	680	796	63 A	193	167	100/63 AV	223	214	M40 x 1.5	4L	35
IE3-W41R 180 M4	680	796	63 A	193	167	100/63 AV	223	214	M40 x 1.5	4L	35
IE3-W41R 180 L4	730	846	63 A	193	167	100/63 AV	223	214	M40 x 1.5	4L	35
IE3-W41R 180 L6C	680	796	63 A	193	167	100/63 AV	223	214	M40 x 1.5	4L	35
IE3-W41R 180 L8	680	796	63 A	193	167	100/63 AV	223	214	M40 x 1.5	4L	35
IE3-W41R 200 L2	767	891	100 A	213	207	200 A-SB	335	270	M50 x 1.5	4L	40
IE3-W41R 200 LX2C	767	891	100 A	213	207	200 A-SB	335	270	M50 x 1.5	4L	40
IE3-W41R 200 L4C	767	891	100 A	213	207	200 A-SB	335	270	M50 x 1.5	4L	35
IE3-W41R 200 L6	767	891	100 A	213	207	200 A-SB	335	270	M50 x 1.5	4L	35
IE3-W41R 200 LX6C	767	891	100 A	213	207	200 A-SB	335	270	M50 x 1.5	4L	35
IE3-W41R 200 L8	730	846	63 A	193	167	100/63 AV	223	214	M50 x 1.5	4L	35
IE3-W41R 225 M2	832	947	100 A	213	207	200 A-SB	335	270	M50 x 1.5	8L	45
IE3-W41R 225 S4C	847	971	100 A	213	207	200 A-SB	335	270	M50 x 1.5	8L	40
IE3-W41R 225 M4	912	1027	100 A	213	207	200 A-SB	335	270	M50 x 1.5	8L	45
IE3-W41R 225 M6	912	1027	100 A	213	207	200 A-SB	335	270	M50 x 1.5	8L	45
IE3-W41R 225 S8	797	921	100 A	213	207	200 A-SB	335	270	M50 x 1.5	8L	40
IE3-W41R 225 M8	862	977	100 A	213	207	200 A-SB	335	270	M50 x 1.5	8L	45
IE3-W41R 250 M2	924	1072	200 A	282	242	200 A-SB	335	270	M50 x 1.5	8L	55
IE3-W41R 250 M4	924	1072	200 A	282	242	200 A-SB	335	270	M50 x 1.5	8L	50
IE3-W41R 250 M6	924	1042	200 A	282	242	200 A-SB	335	270	M50 x 1.5	8L	50
IE3-W41R 250 M8	924	1042	200 A	282	242	200 A-SB	335	270	M63 x 1.5	8L	50
IE3-W41R 280 S2	924	1072	200 A	282	242	200 A-SB	335	270	M63 x 1.5	8L	55
IE3-W41R 280 M2	970	1118	200 A	282	242	200 A-SB	335	270	M63 x 1.5	8L	55
IE3-W41R 280 S4	970	1118	200 A	282	242	200 A-SB	335	270	M63 x 1.5	8L	50
IE3-W41R 280 M4	1105	1273	200 A	282	242	200 A-SB	335	270	M63 x 1.5	8L	55
IE3-W41R 280 S6	1050	1218	200 A	282	242	200 A-SB	335	270	M63 x 1.5	8L	55
IE3-W41R 280 M6	1105	1273	200 A	282	242	200 A-SB	335	270	M63 x 1.5	8L	55
IE3-W41R 280 S8	1050	1218	200 A	282	242	200 A-SB	335	270	M63 x 1.5	8L	55
IE3-W41R 280 M8	1105	1273	200 A	282	242	200 A-SB	335	270	M63 x 1.5	8L	55



Type designation	H	HH	L	LC	TB Type	AG	LL	AH	TB Type	AG	LL	AH	O	BI.
	h	A	k	k1		x	z	-	VIK	x	z	-	r	BI
IE3-W41R 315 S2	315	211	1050	1218	200 A	282	242	-	400 A-SB	415	340	265	M63 x 1.5	55
IE3-W41R 315 M2	315	211	1105	1273	200 A	282	242	-	400 A-SB	415	340	265	M63 x 1.5	55
IE3-W41R 315 MX2	315	211	1200	1378	400 A-SB	415	340	265	630 A	496	390	301	M63 x 1.5	55
IE3-W41R 315 MY2	315	230	1270	1448	400 A-SB	415	340	265	630 A	496	390	301	M63 x 1.5	55
IE3-W41R 315 L2	315	230	1390	1568	400 A-SB	415	340	265	630 A	496	390	301	M63 x 1.5	55
IE3-W41R 315 LX2	315	230	1510	1688	400 A-SB	415	340	265	630 A	496	390	301	M63 x 1.5	55
IE3-W41R 315 S4	315	211	1080	1248	200 A	282	242	-	400 A-SB	415	340	265	M63 x 1.5	55
IE3-W41R 315 M4	315	211	1135	1303	200 A	282	242	-	400 A-SB	415	340	265	M63 x 1.5	55
IE3-W41R 315 MX4	315	230	1230	1408	400 A-SB	415	340	265	630 A	496	390	301	M63 x 1.5	55
IE3-W41R 315 MY4	315	230	1300	1478	400 A-SB	415	340	265	630 A	496	390	301	M63 x 1.5	55
IE3-W41R 315 L4	315	230	1420	1598	400 A-SB	415	340	265	630 A	496	390	301	M63 x 1.5	55
IE3-W41R 315 LX4	315	230	1540	1718	400 A-SB	415	340	265	630 A	496	390	301	M63 x 1.5	55
IE3-W41R 315 S6	315	211	1135	1303	200 A	282	242	-	400 A-SB	415	340	265	M63 x 1.5	55
IE3-W41R 315 M6	315	230	1300	1478	400 A-SB	415	340	265	630 A	496	390	301	M63 x 1.5	55
IE3-W41R 315 MX6	315	230	1300	1478	400 A-SB	415	340	265	630 A	496	390	301	M63 x 1.5	55
IE3-W41R 315 L6	315	230	1420	1598	400 A-SB	415	340	265	630 A	496	390	301	M63 x 1.5	55
IE3-W41R 315 S8	315	211	1135	1303	200 A	282	242	-	400 A-SB	415	340	265	M63 x 1.5	55
IE3-W41R 315 M8	315	230	1300	1478	400 A-SB	415	340	265	630 A	496	390	301	M63 x 1.5	55
IE3-W41R 315 MX8	315	230	1300	1478	400 A-SB	415	340	265	630 A	496	390	301	M63 x 1.5	55
IE3-W41R 315 L8	315	230	1420	1598	400 A-SB	415	340	265	630 A	496	390	301	M63 x 1.5	55