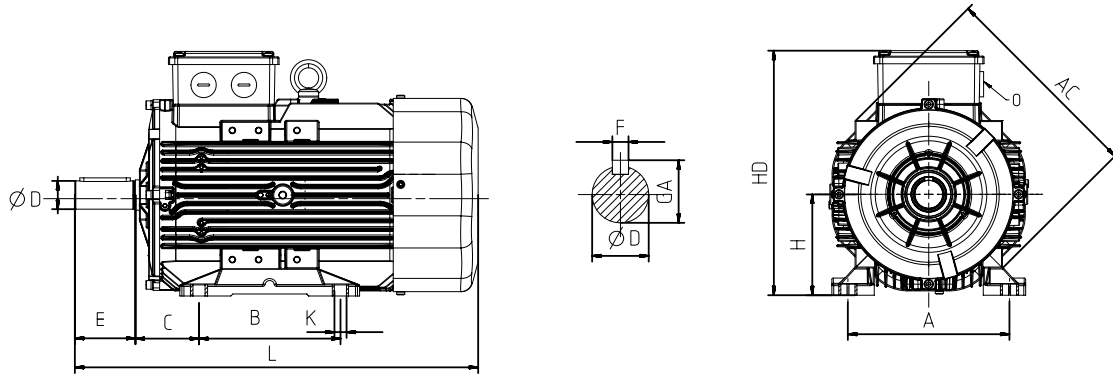


IE4 THREE PHASE ALUMINIUM MOTORS

DIMENSION - B3

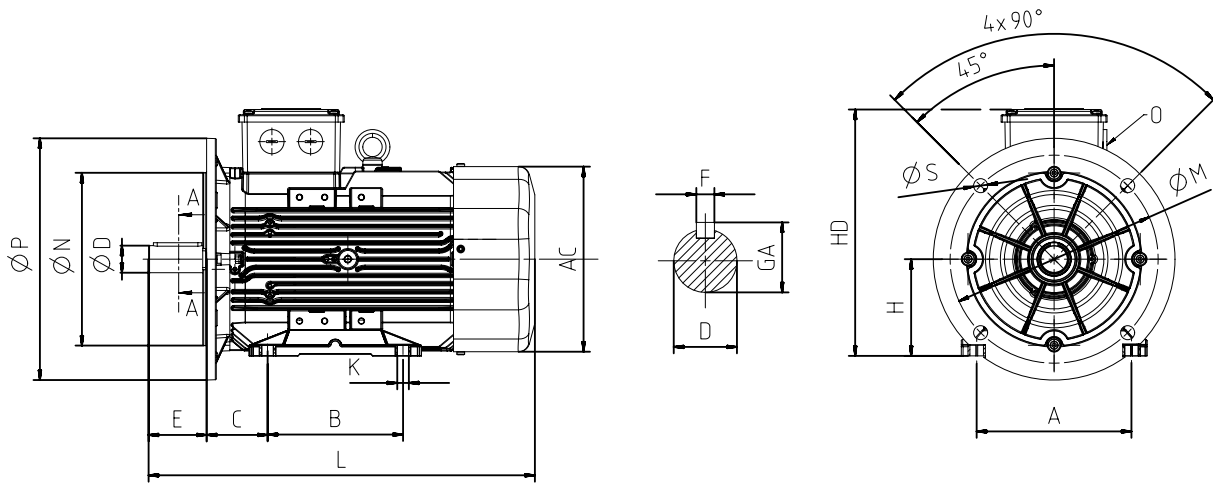


Power (kW)	Number of Poles	Motor Type	Housing Type	Main Dimensions			Foot Mounted Motors						Shaft				Bearing		Seal	
				AC	L	O	B	A	H	HD	K	C	D ⁽¹⁾	E	GA	F ⁽²⁾	Drive Side	Non drive Side	Drive Side	Non drive side
0.12	4	Q4E63M4B	Aluminium	123	220	1xM20	80	100	63	162	7	40	11	23	12.5	4	6201-ZZ	6201-ZZ	12*22*7	12*22*7
0.18	2	Q4E63M2B	Aluminium	123	220	1xM20	80	100	63	162	7	40	11	23	12.5	4	6201-ZZ	6201-ZZ	12*22*7	12*22*7
0.18	4	Q4E63M4C	Aluminium	123	234	1xM20	80	100	63	162	7	40	11	23	12.5	4	6201-ZZ	6201-ZZ	12*22*7	12*22*7
0.25	2	Q4E63M2C	Aluminium	123	234	1xM20	80	100	63	162	7	40	11	23	12.5	4	6201-ZZ	6201-ZZ	12*22*7	12*22*7
0.25	4	Q4E71M4B	Aluminium	138	253	1xM20	90	112	71	190	7	45	14	30	16	5	6202-ZZ	6202-ZZ	15*24*5	15*24*5
0.37	2	Q4E71M2B	Aluminium	138	253	1xM20	90	112	71	190	7	45	14	30	16	5	6202-ZZ	6202-ZZ	15*24*5	15*24*5
0.37	4	Q4E71M4C	Aluminium	138	262	1xM20	90	112	71	190	7	45	14	30	16	5	6202-ZZ	6202-ZZ	15*24*5	15*24*5
0.55	2	Q4E71M2C	Aluminium	138	253	1xM20	90	112	71	190	7	45	14	30	16	5	6202-ZZ	6202-ZZ	15*24*5	15*24*5
0.55	4	Q4H80M4D	Aluminium	158	268	1xM20	100	125	80	216	10	50	19	40	21.5	6	6204-ZZ	6204-ZZ	20*30*7	20*30*7
0.75	2	Q4H80M2D	Aluminium	158	268	1xM20	100	125	80	216	10	50	19	40	21.5	6	6204-ZZ	6204-ZZ	20*30*7	20*30*7
0.75	4	Q4H80M4E	Aluminium	158	293	1xM20	100	125	80	216	10	50	19	40	21.5	6	6204-ZZ	6204-ZZ	20*30*7	20*30*7
1.1	2	Q4H80M2DE	Aluminium	158	293	1xM20	100	125	80	216	10	50	19	40	21.5	6	6204-ZZ	6204-ZZ	20*30*7	20*30*7
1.1	4	Q4H90L4D	Aluminium	172	344	1xM25	100-125	140	90	223	10	56	24	50	27	8	6305-ZZ	6205-ZZ	25*40*7	25*40*7
1.5	2	Q4H90L2D	Aluminium	172	344	1xM25	100-125	140	90	223	10	56	24	50	27	8	6305-ZZ	6205-ZZ	25*40*7	25*40*7
1.5	4	Q4H90L4E	Aluminium	172	379	1xM25	100-125	140	90	223	10	56	24	50	27	8	6305-ZZ	6205-ZZ	25*40*7	25*40*7
2.2	2	Q4H90L2E	Aluminium	172	344	1xM25	100-125	140	90	223	10	56	24	50	27	8	6305-ZZ	6205-ZZ	25*40*7	25*40*7
2.2	4	Q4H100L4D	Aluminium	191	400	1xM25	140	160	100	243	12	63	28	60	31	8	6306-ZZ	6205-ZZ	30*47*7	30*47*7
3	2	Q4H100L2D	Aluminium	191	400	1xM25	140	160	100	243	12	63	28	60	31	8	6306-ZZ	6205-ZZ	30*47*7	30*47*7
3	4	Q4H100L4E	Aluminium	191	422	1xM25	140	160	100	243	12	63	28	60	31	8	6306-ZZ	6205-ZZ	30*47*7	30*47*7
4	2	Q4H112M2D	Aluminium	210	396	1xM25	140	190	112	265	12	70	28	60	31	8	6306-ZZ	6206-ZZ	30*47*7	30*47*7
4	4	Q4H112M4E	Aluminium	210	421	1xM25	140	190	112	266	12	70	28	60	31	8	6306-ZZ	6206-ZZ	30*47*7	30*47*7
5.5	2	Q4H132S2D	Aluminium	260	481	1xM32	140-178	216	132	328	12	89	38	80	41	10	6208-ZZ	6208-ZZ	40*62*10	40*62*10
5.5	4	Q4H132S4C	Aluminium	260	481	1xM32	140-178	216	132	328	12	89	38	80	41	10	6208-ZZ	6208-ZZ	40*62*10	40*62*10
7.5	2	Q4H132S2DE	Aluminium	260	481	1xM32	140-178	216	132	328	12	89	38	80	41	10	6208-ZZ	6208-ZZ	40*62*10	40*62*10
7.5	4	Q4H132M4DE	Aluminium	260	539	1xM32	140-178	216	132	328	12	89	38	80	41	10	6208-ZZ	6208-ZZ	40*62*10	40*62*10
11	2	Q4H160M2D	Aluminium	305	591	1xM32	210-254	254	160	378	14.5	108	42	110	45	12	6309-ZZ	6209-ZZ	45*72*10	45*72*10
11	4	Q4H160M4D	Aluminium	305	591	1xM32	210-254	254	160	378	14.5	108	42	110	45	12	6309-ZZ	6209-ZZ	45*72*10	45*72*10
15	2	Q4H160M2DE	Aluminium	305	591	1xM32	210-254	254	160	378	14.5	108	42	110	45	12	6309-ZZ	6209-ZZ	45*72*10	45*72*10
15	4	Q4H160L4C	Aluminium	305	622	1xM32	210-254	254	160	378	14.5	108	42	110	45	12	6309-ZZ	6209-ZZ	45*72*10	45*72*10
18.5	2	Q4H160L2D	Aluminium	-	591	1xM32	210-254	254	160	378	14.5	108	42	110	45	12	6309-ZZ	6209-ZZ	45*72*10	45*72*10
18.5	4	Q4H180L4B	Aluminium	349	696	1xM40	241-279	279	180	437	14.5	121	48	110	51.5	14	6310-ZZ	6310-ZZ	50*80*10	50*80*10
22	2	Q4H180M2B	Aluminium	349	696	1xM40	241-279	279	180	437	14.5	121	48	110	51.5	14	6310-ZZ	6310-ZZ	50*80*10	50*80*10
22	4	Q4H180L4C	Aluminium	349	750	1xM40	241-279	279	180	437	14.5	121	48	110	51.5	14	6310-ZZ	6310-ZZ	50*80*10	50*80*10
30	2	Q4H200L2D	Aluminium	349	706	1xM50	267-305	318	200	455	18.5	133	55	110	59	16	6312-ZZ	6310-ZZ	60*90*10	60*90*10
37	2	Q4H200L2E	Aluminium	349	759	1xM50	267-305	318	200	455	18.5	133	55	110	59	16	6312-ZZ	6310-ZZ	60*90*10	60*90*10
37	4	Q4H225M4D	Aluminium	456	765	1xM50	286-311	356	225	485	18.5	149	60	140	64	18	6313-ZZ	6313-ZZ	65*100*13	65*100*13
45	2	Q4H225M2D	Aluminium	456	735	1xM50	286-311	356	225	485	18.5	149	60	110	64	18	6313-ZZ	6313-ZZ	65*100*13	65*100*13
45	4	Q4H225M4E	Aluminium	456	765	1xM50	286-311	356	225	485	18.5	149	60	140	65	18	6313-ZZ	6313-ZZ	65*100*13	65*100*13
55	2	Q4H250M2D	Cast Iron	489	893	1xM50	311-349	406	250	616	24	149	65	140	69	18	6316-Z	6316-Z	80*100*10	80*100*10
55	4	Q4H250M4E	Cast Iron	489	893	1xM50	311-349	406	250	616	24	149	65	140	69	18	6316-Z	6316-Z	80*100*10	80*100*10
75	2	Q4H280M2C	Cast Iron	489	1025	1xM50	368-419	457	280	610	24	190	65	140	69	18	6316-Z	6316-Z	80*100*10	80*100*10
90	2	Q4H280M2D	Cast Iron	489	1025	1xM50	368-419	457	280	647	24	190	65	140	69	18	6316-Z	6316-Z	80*100*10	80*100*10

(1) Tolerance DIN EN 50347 "j6" up to 28mm, "k6" above 28mm
 (2) According to DIN 6885

IE4 THREE PHASE ALUMINIUM MOTORS

DIMENSION - B5, B35



Power [kW]	Number of Poles	Motor Type	Housing Type	Main Dimensions			Foot Mounted Motors						Shaft				Bearing		Seal		Flange [FA B5, B35]				
				AC	L	O	B	A	H	HD	K	C	D ⁽¹⁾	E	GA	F ⁽²⁾	Drive Side	Non drive Side	Drive Side	Non drive side	P	N ⁽³⁾	M	R	S
0.12	4	Q4E63M4B	Aluminium	123	220	1xM20	80	100	63	162	7	40	11	23	12.5	4	6201-ZZ	6201-ZZ	12*22*7	12*22*7	140	95	115	-	10
0.18	2	Q4E63M2B	Aluminium	123	220	1xM20	80	100	63	162	7	40	11	23	12.5	4	6201-ZZ	6201-ZZ	12*22*7	12*22*7	140	95	115	-	10
0.18	4	Q4E63M4C	Aluminium	123	234	1xM20	80	100	63	162	7	40	11	23	12.5	4	6201-ZZ	6201-ZZ	12*22*7	12*22*7	140	95	115	-	10
0.25	2	Q4E63M2C	Aluminium	123	234	1xM20	80	100	63	162	7	40	11	23	12.5	4	6201-ZZ	6201-ZZ	12*22*7	12*22*7	140	95	115	-	10
0.25	4	Q4E71M4B	Aluminium	138	253	1xM20	90	112	71	190	7	45	14	30	16	5	6202-ZZ	6202-ZZ	15*24*5	15*24*5	160	110	130	-	10
0.37	2	Q4E71M2B	Aluminium	138	253	1xM20	90	112	71	190	7	45	14	30	16	5	6202-ZZ	6202-ZZ	15*24*5	15*24*5	160	110	130	-	10
0.37	4	Q4E71M4C	Aluminium	138	262	1xM20	90	112	71	190	7	45	14	30	16	5	6202-ZZ	6202-ZZ	15*24*5	15*24*5	160	110	130	-	10
0.55	2	Q4E71M2C	Aluminium	138	253	1xM20	90	112	71	190	7	45	14	30	16	5	6202-ZZ	6202-ZZ	15*24*5	15*24*5	160	110	130	-	10
0.55	4	Q4H80M4D	Aluminium	158	268	1xM20	100	125	80	216	10	50	19	40	21.5	6	6204-ZZ	6204-ZZ	20*30*7	20*30*7	200	130	165	-	12
0.75	2	Q4H80M2D	Aluminium	158	268	1xM20	100	125	80	216	10	50	19	40	21.5	6	6204-ZZ	6204-ZZ	20*30*7	20*30*7	200	130	165	-	12
0.75	4	Q4H80M4E	Aluminium	158	293	1xM20	100	125	80	216	10	50	19	40	21.5	6	6204-ZZ	6204-ZZ	20*30*7	20*30*7	200	130	165	-	12
1.1	2	Q4H80M2DE	Aluminium	158	293	1xM20	100	125	80	216	10	50	19	40	21.5	6	6204-ZZ	6204-ZZ	20*30*7	20*30*7	200	130	165	-	12
1.1	4	Q4H90L4D	Aluminium	172	344	1xM25	100-125	140	90	223	10	56	24	50	27	8	6305-ZZ	6205-ZZ	25*40*7	25*40*7	200	130	165	-	12
1.5	2	Q4H90L2D	Aluminium	172	344	1xM25	100-125	140	90	223	10	56	24	50	27	8	6305-ZZ	6205-ZZ	25*40*7	25*40*7	200	130	165	-	12
1.5	4	Q4H90L4DE	Aluminium	172	379	1xM25	100-125	140	90	223	10	56	24	50	27	8	6305-ZZ	6205-ZZ	25*40*7	25*40*7	200	130	165	-	12
2.2	2	Q4H90L2E	Aluminium	172	344	1xM25	100-125	140	90	223	10	56	24	50	27	8	6305-ZZ	6205-ZZ	25*40*7	25*40*7	200	130	165	-	12
2.2	4	Q4H100L4D	Aluminium	191	400	1xM25	140	160	100	243	12	63	28	60	31	8	6306-ZZ	6205-ZZ	30*47*7	30*47*7	250	180	215	-	14.5
3	2	Q4H100L2D	Aluminium	191	400	1xM25	140	160	100	243	12	63	28	60	31	8	6306-ZZ	6205-ZZ	30*47*7	30*47*7	250	180	215	-	14.5
3	4	Q4H100L4E	Aluminium	191	422	1xM25	140	160	100	243	12	63	28	60	31	8	6306-ZZ	6205-ZZ	30*47*7	30*47*7	250	180	215	-	14.5
4	2	Q4H112M2D	Aluminium	210	396	1xM25	140	190	112	265	12	70	28	60	31	8	6306-ZZ	6206-ZZ	30*47*7	30*47*7	250	180	215	-	14.5
4	4	Q4H112M4E	Aluminium	210	421	1xM25	140	190	112	266	12	70	28	60	31	8	6306-ZZ	6206-ZZ	30*47*7	30*47*7	250	180	215	-	14.5
5.5	2	Q4H132S2D	Aluminium	260	481	1xM32	140-178	216	132	328	12	89	38	80	41	10	6208-ZZ	6208-ZZ	40*62*10	40*62*10	300	230	265	-	14.5
5.5	4	Q4H132S4C	Aluminium	260	481	1xM32	140-178	216	132	328	12	89	38	80	41	10	6208-ZZ	6208-ZZ	40*62*10	40*62*10	300	230	265	-	14.5
7.5	2	Q4H132S2DE	Aluminium	260	481	1xM32	140-178	216	132	328	12	89	38	80	41	10	6208-ZZ	6208-ZZ	40*62*10	40*62*10	300	230	265	-	14.5
7.5	4	Q4H132M4DE	Aluminium	260	539	1xM32	140-178	216	132	328	12	89	38	80	41	10	6208-ZZ	6208-ZZ	40*62*10	40*62*10	300	230	265	-	14.5
11	2	Q4H160M2D	Aluminium	305	591	1xM32	210-254	254	160	378	14.5	108	42	110	45	12	6309-ZZ	6209-ZZ	45*72*10	45*72*10	350	250	300	-	18.5
11	4	Q4H160M4D	Aluminium	305	591	1xM32	210-254	254	160	378	14.5	108	42	110	45	12	6309-ZZ	6209-ZZ	45*72*10	45*72*10	350	250	300	-	18.5
15	2	Q4H160M2DE	Aluminium	305	591	1xM32	210-254	254	160	378	14.5	108	42	110	45	12	6309-ZZ	6209-ZZ	45*72*10	45*72*10	350	250	300	-	18.5
15	4	Q4H160L4C	Aluminium	305	622	1xM32	210-254	254	160	378	14.5	108	42	110	45	12	6309-ZZ	6209-ZZ	45*72*10	45*72*10	350	250	300	-	18.5
18.5	2	Q4H160L2D	Aluminium	305	591	1xM32	210-254	254	160	378	14.5	108	42	110	45	12	6309-ZZ	6209-ZZ	45*72*10	45*72*10	350	250	300	-	18.5
18.5	4	Q4H180L4B	Aluminium	349	696	1xM40	241-279	279	180	437	14.5	121	48	110	51.5	14	6310-ZZ	6310-ZZ	50*80*10	50*80*10	350	250	300	-	18.5
22	2	Q4H180M2B	Aluminium	349	696	1xM40	241-279	279	180	437	14.5	121	48	110	51.5	14	6310-ZZ	6310-ZZ	50*80*10	50*80*10	350	250	300	-	18.5
22	4	Q4H180L4C	Aluminium	349	750	1xM40	241-279	279	180	437	14.5	121	48	110	51.5	14	6310-ZZ	6310-ZZ	50*80*10	50*80*10	350	250	300	-	18.5
30	2	Q4H200L2D	Aluminium	349	706	1xM50	267-305	318	200	455	18.5	133	55	110	59	16	6312-ZZ	6310-ZZ	60*90*10	60*90*10	400	300	350	-	18.5
37	2	Q4H200L2E	Aluminium	349	759	1xM50	267-305	318	200	455	18.5	133	55	110	59	16	6312-ZZ	6310-ZZ	60*90*10	60*90*10	400	300	350	-	18.5
37	4	Q4H225M4D	Aluminium	456	765	1xM50	286-311	356	225	485	18.5	149	60	140	64	18	6313-ZZ	6313-ZZ	65*100*13	65*100*13	450	350	400	-	18.5
45	2	Q4H225M2D	Aluminium	456	735	1xM50	286-311	356	225	485	18.5	149	60	110	64	18	6313-ZZ	6313-ZZ	65*100*13	65*100*13	450	350	400	-	18.5
45	4	Q4H225M4E	Aluminium	456	765	1xM50	286-311	356	225	485	18.5	149	60	140	65	18	6313-ZZ	6313-ZZ	65*100*13	65*100*13	450	350	400	-	18.5
55	2	Q4HG250M2D	Cast Iron	489	893	1xM50	311-349	406	250	616	24	149	65	140	69	18	6316-Z	6316-Z	80*100*10	80*100*10	550	450	500	-	18.5
55	4	Q4HG250M4E	Cast Iron	489	893	1xM50	311-349	406	250	616	24	149	65	140	69	18	6316-Z	6316-Z	80*100*10	80*100*10	550	450	500	-	18.5
75	2	Q4HG280M2C	Cast Iron	489	1025	1xM50	368-419	457	280	610	24	190	65	140	69	18	6316-Z	6316-Z	80*100*10	80*100*10	550	450	500	-	18.5
90	2	Q4HG280M2D	Cast Iron	489	1025	1xM50	368-419	457	280	647	24	190	65	140	69	18	6316-Z	6316-Z	80*100*10	80*100*10	550	450	500	-	18.5

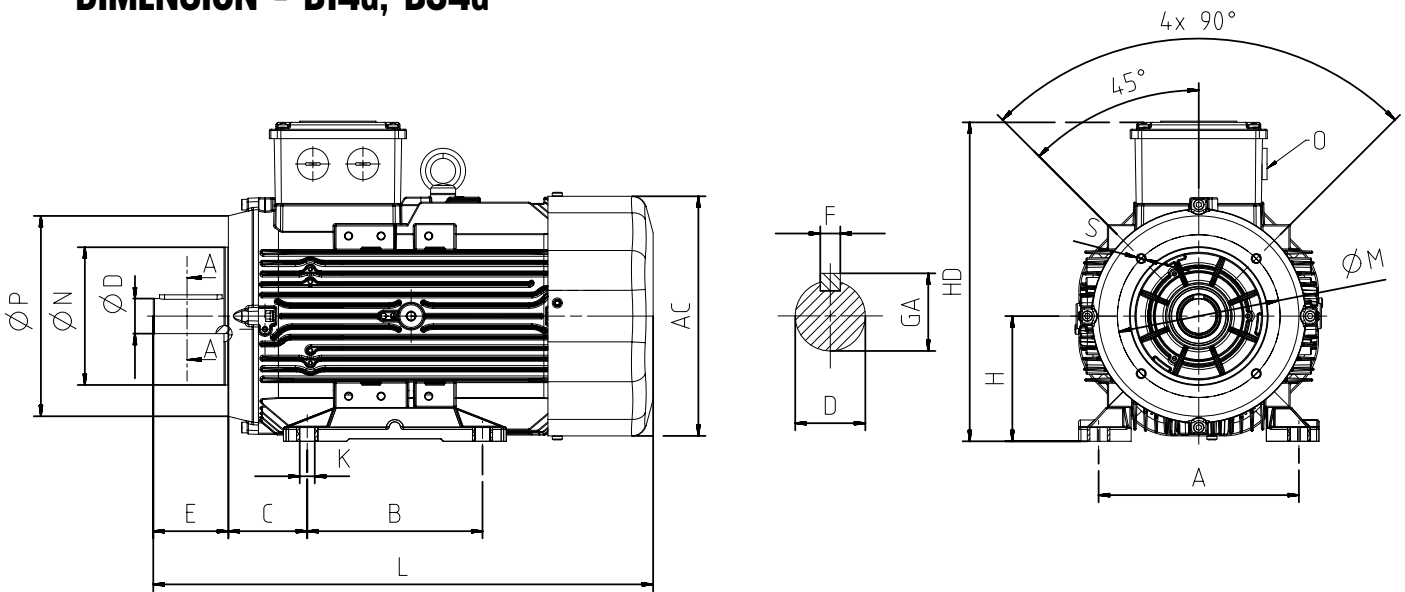
(1) Tolerance DIN EN 50347 "j6" up to 28mm, "k6" above 28mm

(2) According to DIN 6885

(3) Tolerance DIN EN 50347 "j6"

IE4 THREE PHASE ALUMINIUM MOTORS

DIMENSION - B14a, B34a



Power [kW]	Number of Poles	Motor Type	Housing Type	Main Dimensions			Foot Mounted Motors						Shaft				Bearing		Seal		Flange [FC B14a, B34a]				
				AC	L	O	B	A	H	HD	K	C	D ⁽¹⁾	E	GA	F ⁽²⁾	Drive Side	Non drive Side	Drive Side	Non drive side	P	N ⁽³⁾	M	R	S
0.12	4	Q4E63M4B	Aluminium	123	220	1xM20	80	100	63	162	7	40	11	23	12.5	4	6201-ZZ	6201-ZZ	12*22*7	12*22*7	90	60	75	-	M5
0.18	2	Q4E63M2B	Aluminium	123	220	1xM20	80	100	63	162	7	40	11	23	12.5	4	6201-ZZ	6201-ZZ	12*22*7	12*22*7	90	60	75	-	M5
0.18	4	Q4E63M4C	Aluminium	123	234	1xM20	80	100	63	162	7	40	11	23	12.5	4	6201-ZZ	6201-ZZ	12*22*7	12*22*7	90	60	75	-	M5
0.25	2	Q4E63M2C	Aluminium	123	234	1xM20	80	100	63	162	7	40	11	23	12.5	4	6201-ZZ	6201-ZZ	12*22*7	12*22*7	90	60	75	-	M5
0.25	4	Q4E71M4B	Aluminium	138	253	1xM20	90	112	71	190	7	45	14	30	16	5	6202-ZZ	6202-ZZ	15*24*5	15*24*5	105	70	85	-	M6
0.37	2	Q4E71M2B	Aluminium	138	253	1xM20	90	112	71	190	7	45	14	30	16	5	6202-ZZ	6202-ZZ	15*24*5	15*24*5	105	70	85	-	M6
0.37	4	Q4E71M4C	Aluminium	138	262	1xM20	90	112	71	190	7	45	14	30	16	5	6202-ZZ	6202-ZZ	15*24*5	15*24*5	105	70	85	-	M6
0.55	2	Q4E71M2C	Aluminium	138	253	1xM20	90	112	71	190	7	45	14	30	16	5	6202-ZZ	6202-ZZ	15*24*5	15*24*5	105	70	85	-	M6
0.55	4	Q4H80M4D	Aluminium	158	268	1xM20	100	125	80	216	10	50	19	40	21.5	6	6204-ZZ	6204-ZZ	20*30*7	20*30*7	120	80	100	-	M6
0.75	2	Q4H80M2D	Aluminium	158	268	1xM20	100	125	80	216	10	50	19	40	21.5	6	6204-ZZ	6204-ZZ	20*30*7	20*30*7	120	80	100	-	M6
0.75	4	Q4H80M4E	Aluminium	158	293	1xM20	100	125	80	216	10	50	19	40	21.5	6	6204-ZZ	6204-ZZ	20*30*7	20*30*7	120	80	100	-	M6
1.1	2	Q4H80M2DE	Aluminium	158	293	1xM20	100	125	80	216	10	50	19	40	21.5	6	6204-ZZ	6204-ZZ	20*30*7	20*30*7	120	80	100	-	M6
1.1	4	Q4H90L4D	Aluminium	172	344	1xM25	100-125	140	90	223	10	56	24	50	27	8	6305-ZZ	6205-ZZ	25*40*7	25*40*7	140	95	115	-	M8
1.5	2	Q4H90L2D	Aluminium	172	344	1xM25	100-125	140	90	223	10	56	24	50	27	8	6305-ZZ	6205-ZZ	25*40*7	25*40*7	140	95	115	-	M8
1.5	4	Q4H90L4E	Aluminium	172	379	1xM25	100-125	140	90	223	10	56	24	50	27	8	6305-ZZ	6205-ZZ	25*40*7	25*40*7	140	95	115	-	M8
2.2	2	Q4H90L2E	Aluminium	172	344	1xM25	100-125	140	90	223	10	56	24	50	27	8	6305-ZZ	6205-ZZ	25*40*7	25*40*7	140	95	115	-	M8
2.2	4	Q4H100L4D	Aluminium	191	400	1xM25	140	160	100	243	12	63	28	60	31	8	6306-ZZ	6205-ZZ	30*47*7	30*47*7	160	110	130	-	M8
3	2	Q4H100L2D	Aluminium	191	400	1xM25	140	160	100	243	12	63	28	60	31	8	6306-ZZ	6205-ZZ	30*47*7	30*47*7	160	110	130	-	M8
3	4	Q4H100L4E	Aluminium	191	422	1xM25	140	160	100	243	12	63	28	60	31	8	6306-ZZ	6205-ZZ	30*47*7	30*47*7	160	110	130	-	M8
4	2	Q4H112M2D	Aluminium	210	396	1xM25	140	190	112	265	12	70	28	60	31	8	6306-ZZ	6206-ZZ	30*47*7	30*47*7	160	110	130	-	M8
4	4	Q4H112M4E	Aluminium	210	421	1xM25	140	190	112	266	12	70	28	60	31	8	6306-ZZ	6206-ZZ	30*47*7	30*47*7	160	110	130	-	M8
5.5	2	Q4H132S2D	Aluminium	260	481	1xM32	140-178	216	132	328	12	89	38	80	41	10	6208-ZZ	6208-ZZ	40*62*10	40*62*10	200	130	165	-	M10
5.5	4	Q4H132S4C	Aluminium	260	481	1xM32	140-178	216	132	328	12	89	38	80	41	10	6208-ZZ	6208-ZZ	40*62*10	40*62*10	200	130	165	-	M10
7.5	2	Q4H132S2DE	Aluminium	260	481	1xM32	140-178	216	132	328	12	89	38	80	41	10	6208-ZZ	6208-ZZ	40*62*10	40*62*10	200	130	165	-	M10
7.5	4	Q4H132M4DE	Aluminium	260	539	1xM32	140-178	216	132	328	12	89	38	80	41	10	6208-ZZ	6208-ZZ	40*62*10	40*62*10	200	130	165	-	M10

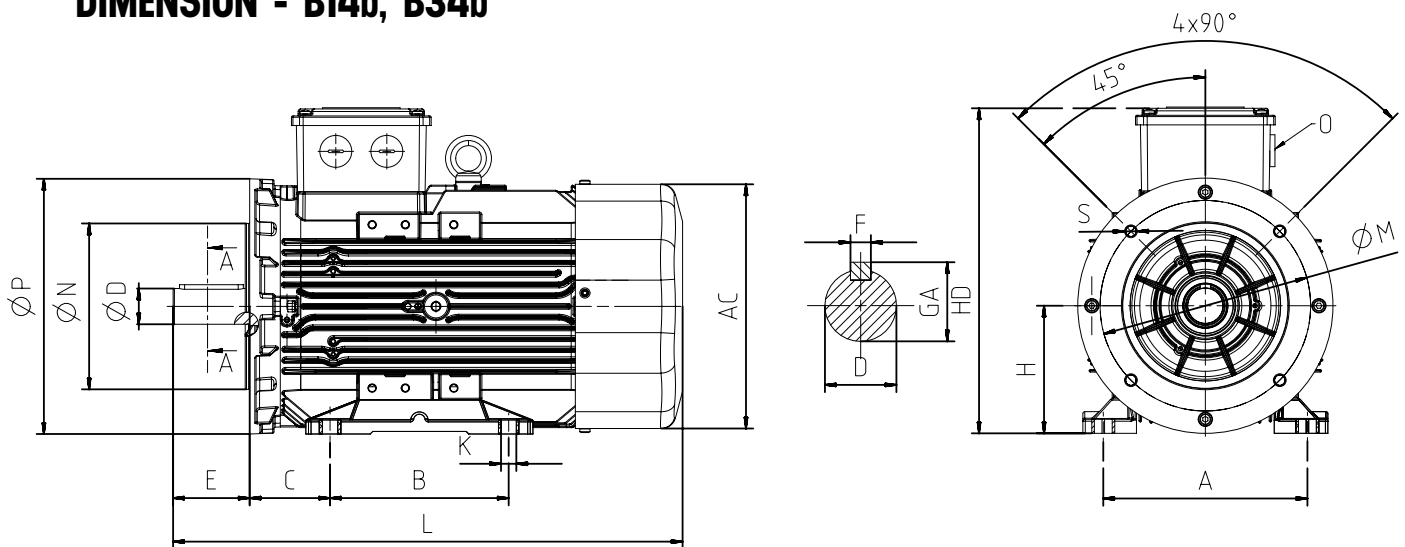
(1) Tolerance DIN EN 50347 "j6" up to 28mm, "k6" above 28mm

(2) According to DIN 6885

(3) Tolerance DIN EN 50347 "j6"

IE4 THREE PHASE ALUMINIUM MOTORS

DIMENSION - B14b, B34b



Power [kW]	Number of Poles	Motor Type	Housing Type	Main Dimensions			Foot Mounted Motors						Shaft				Bearing		Seal		Flange [FB B14b, B34b]				
				AC	L	O	B	A	H	HD	K	C	D ⁽¹⁾	E	GA	F ⁽²⁾	Drive Side	Non drive Side	Drive Side	Non drive side	P	N ⁽³⁾	M	R	S
0.12	4	Q4E63M4B	Aluminium	123	220	1xM20	80	100	63	162	7	40	11	23	12.5	4	6201-ZZ	6201-ZZ	12*22*7	12*22*7	120	80	100	-	M6
0.18	2	Q4E63M2B	Aluminium	123	220	1xM20	80	100	63	162	7	40	11	23	12.5	4	6201-ZZ	6201-ZZ	12*22*7	12*22*7	120	80	100	-	M6
0.18	4	Q4E63M4C	Aluminium	123	234	1xM20	80	100	63	162	7	40	11	23	12.5	4	6201-ZZ	6201-ZZ	12*22*7	12*22*7	120	80	100	-	M6
0.25	2	Q4E63M2C	Aluminium	123	234	1xM20	80	100	63	162	7	40	11	23	12.5	4	6201-ZZ	6201-ZZ	12*22*7	12*22*7	120	80	100	-	M6
0.25	4	Q4E71M4B	Aluminium	138	253	1xM20	90	112	71	190	7	45	14	30	16	5	6202-ZZ	6202-ZZ	15*24*5	15*24*5	140	95	115	-	M8
0.37	2	Q4E71M2B	Aluminium	138	253	1xM20	90	112	71	190	7	45	14	30	16	5	6202-ZZ	6202-ZZ	15*24*5	15*24*5	140	95	115	-	M8
0.37	4	Q4E71M4C	Aluminium	138	262	1xM20	90	112	71	190	7	45	14	30	16	5	6202-ZZ	6202-ZZ	15*24*5	15*24*5	140	95	115	-	M8
0.55	2	Q4E71M2C	Aluminium	138	253	1xM20	90	112	71	190	7	45	14	30	16	5	6202-ZZ	6202-ZZ	15*24*5	15*24*5	140	95	115	-	M8
0.55	4	Q4H80M4D	Aluminium	158	268	1xM20	100	125	80	216	10	50	19	40	21.5	6	6204-ZZ	6204-ZZ	20*30*7	20*30*7	160	110	130	-	M8
0.75	2	Q4H80M2D	Aluminium	158	268	1xM20	100	125	80	216	10	50	19	40	21.5	6	6204-ZZ	6204-ZZ	20*30*7	20*30*7	160	110	130	-	M8
0.75	4	Q4H80M4E	Aluminium	158	293	1xM20	100	125	80	216	10	50	19	40	21.5	6	6204-ZZ	6204-ZZ	20*30*7	20*30*7	160	110	130	-	M8
1.1	2	Q4H80M2DE	Aluminium	158	293	1xM20	100	125	80	216	10	50	19	40	21.5	6	6204-ZZ	6204-ZZ	20*30*7	20*30*7	160	110	130	-	M8
1.1	4	Q4H90L4D	Aluminium	172	344	1xM25	100-125	140	90	223	10	56	24	50	27	8	6305-ZZ	6205-ZZ	25*40*7	25*40*7	160	110	130	-	M8
1.5	2	Q4H90L2D	Aluminium	172	344	1xM25	100-125	140	90	223	10	56	24	50	27	8	6305-ZZ	6205-ZZ	25*40*7	25*40*7	160	110	130	-	M8
1.5	4	Q4H90L4DE	Aluminium	172	379	1xM25	100-125	140	90	223	10	56	24	50	27	8	6305-ZZ	6205-ZZ	25*40*7	25*40*7	160	110	130	-	M8
2.2	2	Q4H90L2E	Aluminium	172	344	1xM25	100-125	140	90	223	10	56	24	50	27	8	6305-ZZ	6205-ZZ	25*40*7	25*40*7	160	110	130	-	M8
2.2	4	Q4H100L4D	Aluminium	191	400	1xM25	140	160	100	243	12	63	28	60	31	8	6306-ZZ	6205-ZZ	30*47*7	30*47*7	200	130	165	-	M10
3	2	Q4H100L2D	Aluminium	191	400	1xM25	140	160	100	243	12	63	28	60	31	8	6306-ZZ	6205-ZZ	30*47*7	30*47*7	200	130	165	-	M10
3	4	Q4H100L4E	Aluminium	191	422	1xM25	140	160	100	243	12	63	28	60	31	8	6306-ZZ	6205-ZZ	30*47*7	30*47*7	200	130	165	-	M10
4	2	Q4H112M2D	Aluminium	210	396	1xM25	140	190	112	265	12	70	28	60	31	8	6306-ZZ	6206-ZZ	30*47*7	30*47*7	200	130	165	-	M10
4	4	Q4H112M4E	Aluminium	210	421	1xM25	140	190	112	266	12	70	28	60	31	8	6306-ZZ	6206-ZZ	30*47*7	30*47*7	200	130	165	-	M10
5.5	2	Q4H132S2D	Aluminium	260	481	1xM32	140-178	216	132	328	12	89	38	80	41	10	6208-ZZ	6208-ZZ	40*62*10	40*62*10	250	180	215	-	M12
5.5	4	Q4H132S4C	Aluminium	260	481	1xM32	140-178	216	132	328	12	89	38	80	41	10	6208-ZZ	6208-ZZ	40*62*10	40*62*10	250	180	215	-	M12
7.5	2	Q4H132S2DE	Aluminium	260	481	1xM32	140-178	216	132	328	12	89	38	80	41	10	6208-ZZ	6208-ZZ	40*62*10	40*62*10	250	180	215	-	M12
7.5	4	Q4H132M4DE	Aluminium	260	539	1xM32	140-178	216	132	328	12	89	38	80	41	10	6208-ZZ	6208-ZZ	40*62*10	40*62*10	250	180	215	-	M12

(1) Tolerance DIN EN 50347 "j6" up to 28mm, "k6" above 28mm

(2) According to DIN 6885

(3) Tolerance DIN EN 50347 "j6"